

# **7171 REMOTE ISOLATED 48 BIT OUTPUT MODULE**

V1.15



# Table of Contents

GENERAL .....	1
DESCRIPTION .....	1
HARDWARE CONFIGURATION .....	2
GENERAL .....	2
SETUP/OPERATE MODE .....	2
SERIAL PORT TERMINATION .....	2
VIN POWER SOURCE .....	2
CONNECTORS .....	3
7I71 CONNECTOR LOCATIONS AND DEFAULT JUMPER POSITIONS .....	3
FIELD OUTPUT CONNECTORS .....	4
TB3 CONNECTOR PINOUT .....	4
TB2 CONNECTOR PINOUT .....	5
SERIAL PORT PINOUT .....	6
SERIAL POWER .....	6
POWER CONNECTOR .....	7
OPERATION .....	8
HOST INTERFACE .....	8
HOSTMOT2 7I71 INTERFACE .....	8
POWER SUPPLY .....	8
OUTPUT CHARACTERISTICS .....	8
SHORT CIRCUIT PROTECTION .....	8
OVERTEMPERATURE PROTECTION .....	8
MAXIMUM PER CHIP CURRENT .....	8
VOLTAGE CLAMPS .....	9
FIELD VOLTAGE MONITORING .....	9
ANALOG INPUTS .....	9
WATCHDOG AND FAULTS .....	9
STATUS LEADS .....	9
PARAMETERS .....	10
NON-VOLATILE PARAMETERS .....	10
OPERATE MODE BAUD RATE .....	11
WATCHDOG TIMEOUT .....	11
RPD, WPD, AND UFLBP .....	12
HOST PC SERIAL ADAPTER .....	13
MINIMAL HOST PC SERIAL ADAPTER .....	13
SOFTWARE PROCESS DATA MODES .....	14

# Table of Contents

REFERENCE INFORMATION	
SSLBP .....	15
GENERAL .....	15
REGISTER MAP .....	15
PROCESS INTERFACE REGISTERS .....	15
COMMAND REGISTER .....	16
COMMAND REGISTER WRITE IGNORE .....	16
DATA REGISTER .....	17
LOCAL READ OPERATIONS .....	17
LOCAL WRITE OPERATIONS .....	17
LOCAL PARAMETERS .....	18
NORMAL START .....	19
STOP ALL .....	20
STOP INDIVIDUAL CHANNELS .....	20
DOIT .....	20
PER CHANNEL INTERFACE DATA REGISTERS .....	21
PER CHANNEL CONTROL AND STATUS REGISTERS .....	21
REMOTE MODES .....	21
INTERFACE AND CS REGISTER CONTENTS AT START .....	21
CS REGISTER AFTER START .....	23
CS REGISTER AFTER DOIT .....	23
PROCESS DATA DISCOVERY .....	24
PROCESS TABLE OF CONTENTS .....	24
PROCESS DATA DESCRIPTOR .....	25
PROCESS DATA DESCRIPTOR FIELDS .....	25
RECORD_TYPE .....	25
DATA_LENGTH .....	25
DATA_TYPE .....	26
DATA_DIRECTION .....	26
PARAMETER_MIN .....	26
PARAMETER_MAX .....	26
UNIT_STRING .....	27
NAME_STRING .....	27
NUMERIC PROCESS DATA SCALING .....	27
MODE DESCRIPTOR .....	27
MODE TYPES .....	27
PROCESS ELEMENT PACKING AND UNPACKING .....	28
7171 SPECIFIC PROCESS DATA EXAMPLE .....	29
NORMAL MODE OPERATION .....	31
SETUP START .....	32
SETUP MODE OPERATION .....	32
REMOTE READ EXAMPLE .....	32
REMOTE WRITE EXAMPLE .....	33
DISCOVERY SEQUENCE .....	34

# Table of Contents

REFERENCE INFORMATION .....	37
LBP .....	37
LBP DATA READ/WRITEWCOMMAND .....	37
EXAMPLE COMMANDS .....	38
LOCAL LBP COMMANDS .....	39
LOCAL LBP READ COMMANDS .....	39
LOCAL LBP WRITE COMMANDS .....	41
RPC COMMANDS .....	41
EXAMPLE RPC COMMAND LIST .....	43
CRC .....	44
FRAMING .....	44
SSERIAL REMOTE RPCS .....	45
SPECIFICATIONS .....	46
DRAWINGS .....	47

# GENERAL

## DESCRIPTION

The 7171 is a remote isolated 48 output card. The 48 outputs are 5VDC to 28VDC sourcing drivers (common + field power) with 300 mA maximum current capability. All outputs have LED status indicators.

Outputs have per output short circuit protection, overvoltage clamps and per driver chip thermal shutdown. The 7171s outputs are suitable for driving relays, contactors, solenoids, and other medium power inductive or resistive loads.

The outputs and field power are galvanically isolated from the communications link. The RS-422 interface at 2.5 MBaud is compatible with HostMot2s SSLBP smart serial interface which can support as many as 32 7171 cards for a total of 1536 outputs with real time update rates up to 10 KHz.

# HARDWARE CONFIGURATION

## GENERAL

Hardware setup jumper positions assume that the 7I71 card is oriented in an upright position, that is, with the RJ45 jack towards the left and the output terminal blocks toward the right and MESA 7I71 logo upright.

## SETUP/OPERATE MODE

The 7I71 can run in setup mode or operate mode. In setup mode, the serial interface baud rate is fixed at 115.2 KBaud. In the operate mode, the baud rate is set to 2.5 Mbaud (default). Setup mode is also less critical of host interface timing and enables a normal PC serial port or USB serial adaptor to communicate with the 7I71 for setup purposes. W6 controls the setup/normal mode selection.

W4	MODE	BAUD RATE
UP	Operate mode	2.5 Mbps (default, can be changed)
DOWN	Setup Mode	115.2 Kbps (fixed)

W2, and W3 are currently unused and should be left in the "DOWN" position

## SERIAL PORT TERMINATION

The RS-422 serial port on the 7I71 can be terminated or un-terminated. Normally the 7I71 is the serial cable endpoint so the port must be terminated. W10 and W11 enable and disable the termination,

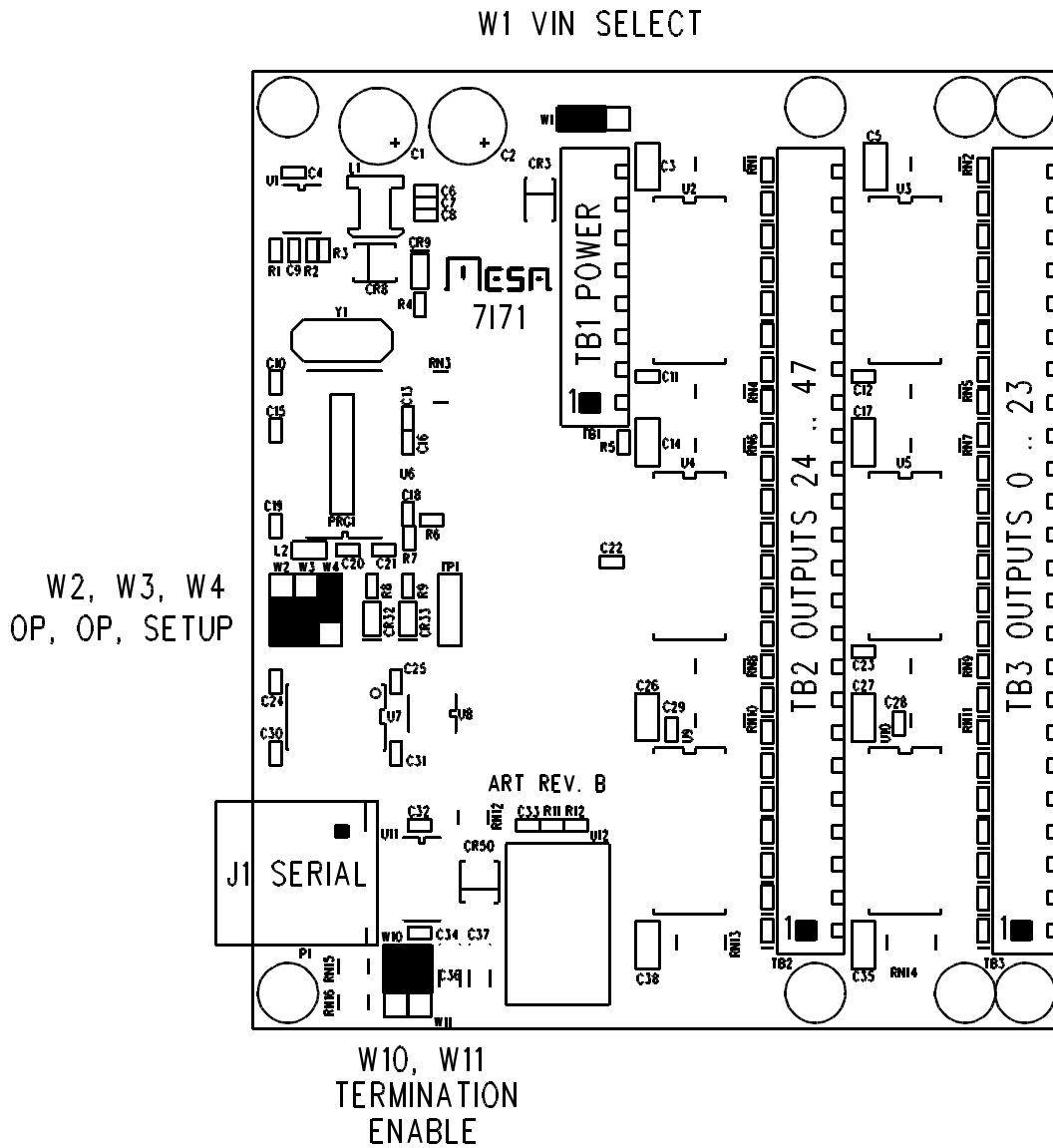
W10,W11	MODE
UP,UP	Terminated (default)
DOWN.DOWN	Unterminated

## VIN POWER SOURCE

The local logic on the 7I71 runs from a switching power supply that can be powered by field power or a separate supply (VIN) with ground common with field power. Normally the 7I71 will be powered with field power and an on card jumper, W1 allows VIN to be connected to field power. If you wish to use a single power supply for the 7I71s output and logic power, W1 should be placed in the left hand position. This connects field power to VIN. If you wish to use a separate supply for VIN, W1 Should be placed in the right hand position.

# CONNECTORS

## 7171 CONNECTOR LOCATIONS AND DEFAULT JUMPER POSITIONS





# CONNECTORS

## FIELD OUTPUT CONNECTORS

Terminal blocks TB3 and TB2 are the 7171s field output terminals. Outputs 0 through 23 are terminated at TB3 and outputs 24 through 47 are terminated at TB2. TB3 and TB2 are 3.5 MM pluggable terminal block with supplied removable screw terminal plugs. Pin one is at the bottom edge of the 7171 card.

### TB3 CONNECTOR PINOUT

TB3 PIN	OUTPUT	TB3 PIN	OUTPUT
1	OUTPUT0	13	OUTPUT12
3	OUTPUT1	14	OUTPUT13
3	OUTPUT2	15	OUTPUT14
4	OUTPUT3	16	OUTPUT15
5	OUTPUT4	17	OUTPUT16
6	OUTPUT5	18	OUTPUT17
7	OUTPUT6	19	OUTPUT18
8	OUTPUT7	20	OUTPUT19
9	OUTPUT8	21	OUTPUT20
10	OUTPUT9	22	OUTPUT21
11	OUTPUT10	23	OUTPUT22
12	OUTPUT11	24	OUTPUT23

# CONNECTORS

## TB2 CONNECTOR PINOUT

TB2 PIN	OUTPUT	TB2 PIN	OUTPUT
1	OUTPUT24	13	OUTPUT36
2	OUTPUT25	14	OUTPUT37
3	OUTPUT26	15	OUTPUT38
4	OUTPUT27	16	OUTPUT39
5	OUTPUT28	17	OUTPUT40
6	OUTPUT29	18	OUTPUT41
7	OUTPUT30	19	OUTPUT42
8	OUTPUT31	20	OUTPUT43
9	OUTPUT32	21	OUTPUT44
10	OUTPUT33	22	OUTPUT45
11	OUTPUT34	23	OUTPUT46
12	OUTPUT35	24	OUTPUT47

# CONNECTORS

## SERIAL PORT PINOUT

J1 is the 7I71s serial interface. J1 is a RJ-45 jack. The serial interface pinout is compatible with standard 8 wire CAT5 Ethernet cables. J1 pinout is as follows:

PIN	SIGNAL	EIA/TIA 568B COLOR
1	RXA	ORANGE WHITE
2	RXB	ORANGE
3	TXA	GREEN WHITE
4	GND	BLUE
5	GND	BLUE WHITE
6	TXB	GREEN
7	+5V	BROWN WHITE
8	+5V	BROWN

J1s pinout is designed to match breakout cards like the 7I44 and 7I74. A standard CAT5 or CAT5E cable can be used to connect the 7I71 to a 7I44/7I74. CAT5E cable is suggested if the serial cable is used for powering the 7I71, as the larger wire size result in lower voltage drop.

### SERIAL POWER

Normally the 7I71 gets its 5V RS-422 transceiver power from the serial cable. Daughter cards normally condition the 7I71's RS-422 signals for the FPGA controller and supply power to the 7I71. The 7I71 draws 30 mA maximum from the serial cable.

# CONNECTORS

## POWER CONNECTOR

TB1 is the 7171 power connector. TB1 pinout is as follows:

TB1 PIN	SIGNAL	FUNCTION
1	VFIELD	FIELD POWER 8-32V (Bottom pin)
2	VFIELD	FIELD POWER 8-32V
3	VFIELD	FIELD POWER 8-32V
4	VFIELD	FIELD POWER 8-32V
5	VIN	LOGIC POWER 8-32V
6	NC	
7	NC	
8	GROUND	VIN, VFIELD, COMMON (Top pin)

Note: *When W1 is in the left hand position, VIN is connected to VFIELD*

**CAUTION: VFIELD Must be connected directly to the DC power source with no switches, circuit breakers or relay contacts in the circuit. A fuse is acceptable but in no case should VFIELD be switched ON through a mechanical contact.**

# OPERATION

## HOST INTERFACE

### HOSTMOT2 7171 INTERFACE

The Hostmot2 interface to the 7171 is a smart serial interface for Mesa's Anything I/O series of FPGA cards that encapsulates the LBP serial protocol details and presents a simple parallel register set to the host computer. Interface registers for input data, output data and communication status are provided for all connected 7171 cards.

The 7171 Hostmot2 interface is a SSerial module with specific firmware (SSLBP) for 7171 card or other LBP interfaced cards. Each SSerial module can support up to eight 7171 cards. Up to four sserial modules can be used in a single FPGA configuration. The sserial module supports the standard LBP 2.5 M Baud communication rate and process data update rate to 10 KHz. With the default configuration reads 48 bits of input process data and 8 bits of fault data from the 7171 for each transfer request.

## POWER SUPPLY

The 7171 runs from field power supplies of 5 to 28 VDC. VIN Power consumption is approximately 600 mW or 25 mA at 24V.

**Field power must have a ramp up rate of less than 10V/Millisecond. This means that you cannot switch the field power connection with a switch or relay.**

## OUTPUT CHARACTERISTICS

The 7171 field outputs are high side or sourcing type MOSFET drivers, that is they source positive voltage to a ground referred load. For example with a standard 24V field power, +24V connects to the 7171s field power input (on TB1) and the outputs on TB2 and TB3 now source +24V power to loads. All 7171 loads will have one side returned to ground or -24V. The 7171s outputs can drive loads of up to 350 mA.

### SHORT CIRCUIT PROTECTION

The 7171s outputs have short circuit protection and will turn off if short circuit current exceeds approximately 800 mA. The 7171 firmware will detect this condition, disable the affected output and indicate a fault.

### OVERTEMPERATURE PROTECTION

The output driver chips detect overtemperature conditions. If the 7171 detects a driver chip with a overtemperature warning flag asserted, it will disable the affected chip and indicate a fault.

### MAXIMUM PER CHIP CURRENT

Because of thermal limitations there is a maximum per driver chip total current of 1.4 amps continuous. Each driver chip connects to 8 sequential outputs. If this limit is exceeded, the driver chip may go into thermal shutdown.

# OPERATION

## OUTPUT CHARACTERISTICS

### VOLTAGE CLAMPS

The output driver chips used on the 7171 have built in Zener diode clamps to clamp inductive turn-off (fly-back) spikes. This means that flyback diodes are not normally required on small (less than 60 mA) inductive loads. ***If high current inductive loads are switched or inductive loads are switched at high frequencies, they must have flyback diodes to limit power dissipation in the 7171's driver chips.***

## FIELD VOLTAGE MONITORING

The 7171 monitors the field voltage and can send this information to the host in some modes. If separate VIN is supplied to the 7171, the 7171 can report loss of field voltage to the host.

## WATCHDOG AND FAULTS

The 7171 has a watchdog timer that will set all set a fault flag if host communication does not occur at a minimum rate. Default watchdog time is 50 mS which means if not accessed at a greater than 20 Hz rate, the watchdog will bite and disable the outputs.

When a fault flag is set, outputs can not longer be set and the host must first clear the fault before normal operation can continue. This is also the 7171s startup condition, meaning the host must first clear the fault before starting normal operation. This is normally handled by SSLBP.

## STATUS LEDS

In addition to the per output indicator LEDs, three status LEDs are provided for power and field I/O operation monitoring. These LEDs are listed here:

LED	COLOR	LOCATION	FUNCTION
CR9	Yellow	Upper left	VIN power
CR32	Green	Middle left	Field I/O activity
CR33	Red	Middle left	Field I/O fault

In normal operation CR9 must always be on. At power-up, CR32 should be off and CR33 on. At power-up, the red LED CR33 indicates a watchdog fault, which is expected before host communications are established. Once running, CR32 should blink at about 1 Hz for a 1 KHz update rate, and CR33 should be off. In setup mode CR32 and CR33 are both illuminated.

# OPERATION

## PARAMETERS

The 7171 has several user settable parameters, but normally only a very few need be changed in normal operation.

<b>PARAMETER</b>	<b>TYPE</b>	<b>FUNCTION</b>
NVBAUDRATE	UINT	Sets operate mode baudrate
NVUNITNUMBER	ULONG	Non-volatile unit number
UNITNUMBER	ULONG	Working unit number
NVWATCHDOGTIME	UINT	Non-volatile watchdog time in mS
WATCHDOGTIME	UINT	Working watchdog time in ms
OUTPUT	UDOUBLE	48 bits of output data
FAULT	UINT	7171 fault register
STATUS	UINT	7171 status register

## NON-VOLATILE PARAMETERS

All non volatile parameters start with the letters NV. Non-volatile parameters are stored permanently in the processors EEPROM and are copied to the volatile working parameters at power-up. Because of this, non-volatile parameters only take affect after a 7171 power cycle.

# OPERATION

## NON-VOLATILE PARAMETERS

### OPERATE MODE BAUD RATE

The operate mode baud rate default is 2.5 MBaud. This should not be changed unless needed for non-standard applications. Baud rates are selected by writing an index value to the NVBAUDRATE parameter. The index numbers for available baud rates are as follows:

INDEX	BAUD	INDEX	BAUD	INDEX	BAUD
0	9600B	1	19200B	2	38400B
3	57600B	4	115200B	5	230400B
6	460800B	7	921600B	8	1.25MB
9	2.5MB*	10	5MB	11	10MB .

### WATCHDOG TIMEOUT

The default watchdog period is 50 mS but can be set to different periods to suit the application. Watchdog timeout units are mS. A watchdog timeout value of 0 will disable the watchdog. The watch dog is a safety feature and should normally not be disabled nor set to long timeout periods unless the consequences of loss of control of outputs is not important. The non-volatile watchdog timeout is set via the NVWATCHDOGTIMEOUT parameter. The working watchdog timeout is set with the WATCHDOGTIME parameter.



# OPERATION

## RPD, WPD, AND UFLBP

The RPD, WPD, and UFLBP are command line utilities allow reading and writing volatile and non-volatile 7I71 parameters, and updating the firmware on the 7I71 To use these utilities on most operating systems, the 7I71 must be in the setup mode or the operate mode baud rate must be 115200 KBaud or less

RPD, WPD, and UFLBP need environment variables preset before they will work. For Windows and 115200 baud, the following environment variables should be set:

```
SET BAUDRATE=115200
```

```
SET BAUDRATEMUL=1
```

```
SET PROTOCOL=LBP
```

```
SET INTERFACE=OSDEVICE
```

Example setting NVWATCHDOGTIMEOUT to 100 ms:

```
WPD NVWATCHDOGTIME 100
```

*Note this is permanent change in the 7I71s watchdog timeout and like all non-volatile parameters, will only be applied after the 7I71 has been power cycled*

Example reading 7I71 faults in Hexadecimal:

```
RPD FAULT H
```

Example of temporarily disabling watchdog and the setting every other output on:

```
WPD WATCHDOGTIME 0
```

```
WPD OUTPUT AAAAAAAAAAAAAA H
```

Example of updating 7I71 firmware with UFLBP

```
UFLBP 7I71.BIN
```

Note the 7I71 MUST be in setup mode for UFLBP to work properly.

# OPERATION

## HOST PC ADAPTER

In order to run any of the command line utilities a RS-422 adapter is needed. Mesa can provide a suitable adapter. Two such adapters are 3I21 or 3I22. These adapters connects the RJ-45 RS-422 interface on the 7I71 to a DB9 serial port (3I21) or USB port (3I22) and provide 5V link power.

### MINIMAL HOST PC ADAPTER

A simple home made host adapter can be made by directly connecting RS-232 signals from a 9 pin PC serial port or USB RS-232 adapter to the 7I71s RS-422 signals via a one ended CAT5 cable. A single resistor between RS-232 TXD and RS-422 RXB is needed to prevent overloading the RS-232 TXD output

CAT5 PIN	DE-9F PIN	CAT5 SIGNAL	DE-9F SIGNAL	CAT5 COLOR
1	5	RXA	GND	ORANGE WHITE
2	3	RXB (1)	TXD (1)	ORANGE
3	XX	TXA	XX	GREEN WHITE
4	5	GND	GND	BLUE
5	5	GND	GND	BLUE WHITE
6	2	TXB	RXD	GREEN
7	XX	+5V (2)	XX	BROWN WHITE
8	XX	+5V (2)	XX	BROWN

Notes:

1. Connect via 470 Ohm 1/4 watt resistor. All other signals directly connected
2. +5V power must be supplied for the 7I71s serial link

# OPERATION

## SOFTWARE PROCESS DATA MODES

The 7171 has two software selectable process data modes. These different modes select different sets of 7171 data to be transferred between the host and the 7171 during real time process data exchanges. For high speed applications, choosing the correct mode can reduce the data transfer sizes, resulting in higher maximum update rates.

MODE 0      Output only mode (48 bits output data only)

MODE 1      Outputs plus read back field voltage

## REFERENCE INFORMATION

*Note that the following interface details presented here are not normally needed for users, as all register level interface details are handed by the driver code. This information is presented here for use by interface and driver developers.*

### SSLBP

#### GENERAL

SSLBP is a firmware option to HostMot2s SSERIAL serial interface that allows simple communication to LBP based peripherals like the 7171. SSERIAL is a part of the HostMot2 motion interface firmware for MESA's Anything-I/O FPGA cards.

#### REGISTER MAP

SSLBP has two global processor interface registers and four per channel remote device interface registers. For more details on mapping of these registers in HostMot2 memory space, see the REGMAP file that is included with the HostMot2 source distribution.

#### PROCESSOR INTERFACE REGISTERS

There are two processor interface registers, the COMMAND register and the DATA register. These registers allow low level communication to SSLBP's interface processor for issuing global commands, discovery, and debug operations.

# REFERENCE INFORMATION

## SSLBP

### COMMAND REGISTER

The commands register is a 16 bit register (right justified in the 32 bit interface) with the following format:

15	14	13	12	11	10	9	8	7	6	5	4	3	2	1	0
W	M	R	D	S	T	T	T	N	N	N	N	N	N	N	N

W = BIT 15 Write bit, set high for control data write commands

M = BIT 14 ROM enable/ reset bit, set high to reset processor / download ROM

R = BIT 13 Request bit, set high for read or write command

D = BIT 12 Dolt bit, set high for Dolt commands

S = BIT 11 Start/Stop bit, actual operation depends on T:

ST = 1,0,0,0 Stop LBP interface = 0x08NN

ST = 1,0,0,1 Start LBP interface in normal mode = 0x09NN  
 ST = 1,1,1,1 Start LBP interface in setup mode = 0x0FNN

N bits determine which channels start or do data transfer with remote device. A set bit indicates that the corresponding channel will start or do a data transfer.

A command is started when written to the command register. Command completion is signaled by the command register being cleared (to 0x0000) by the internal SSLBP firmware. If the command register is read before the command is complete, it will reflect the previously written command. *The command register should not be written when non-zero or unpredictable behavior may result.* There are two exceptions to this rule:

1. A STOP ALL command can always be written to reset the SSLBP interface.
2. Command writes with the ignore bit set can always be written (see below)

### COMMAND REGISTER WRITE IGNORE

*The command register has a feature that any command written with the MSB (bit 31) set will be ignored. This is for compatibility with DMA driven interfaces or any interfaces that use a fixed address list for low level hardware access so cannot skip writes.*

# REFERENCE INFORMATION

## SSLBP

### DATA REGISTER

SSLBP has a global 8 bit data register for debug and custom setup purposes. This register allows access to internal SSLBP parameters. The data register is right justified in the 32 bit Hostmot2 register.

### LOCAL READ OPERATIONS

The sequence used for reading a local SSLBP variable is as follows:

1. The parameter address ORed with the Request bit (bit 13) is written to the command register.
2. The host polls the command register until it reads as zero.
3. The host reads the parameter byte from the data register

### LOCAL WRITE OPERATIONS

The sequence used for writing a local SSLBP variable is as follows:

1. The host polls the command register until it reads as zero.
2. The host writes the data byte to the data register
3. The host writes the command register with the the parameter address Ored with both the Request bit (bit 13) and the Write bit (bit 15)

# REFERENCE INFORMATION

## SSLBP

### LOCAL PARAMETERS

There are a number of local SSLBP read only parameters that are useful for interface software and drivers to access using the local read operations:

LOCAL PARAMETER	ADDRESS	DESCRIPTION
INTERFACE_TYPE	0x0000	0x12 for SSLBP
INTERFACE_WIDTH	0x0001	Data port width (8)
MAJORREV	0x0002	Major SSLBP firmware revision
MINORREV	0x0003	Minor SSLBP firmware revision
GP_INPUTS	0x0004	Number of GP input bits (0 for SSLBP)
GP_OUTPUTS	0x0005	Number of GP output bits (0 for SSLBP)
PROCESSOR_TYPE	0x0006	0xD8 for Dumb8
CHANNELS	0x0007	1 to 8 depending on configuration

# REFERENCE INFORMATION

## SSLBP

### NORMAL START

When the FPGA is first configured or after a STOP command, all local communication, error and status parameters are initialized and all LBP communication channels are idle. A normal START command begins to establish communications with all remote LBP devices. A normal start command is issued by writing a Start bit with type bits of 0,0,1 with a bit mask of the desired channels to start in the low byte, This is 0x9NN hex where NN is the bitmask of channels to start. This command is written to the command register to start the selected channels.

Once a start command has been issued, all channels that are selected in the bit mask will be probed to determine if a LBP device exists. If a device exists on a channel, the SSLBP firmware will acquire the device name, and device unit number, and pointers to process data information from the remote device..

A normal start command also does a standard set of remote device setup operations when it detects a remote device. This setup includes clearing any faults, setting remote operational mode, and setting the outputs off. If no errors have occurred and all faults are clearable, the SSLBP firmware enters a "chatter" loop where it repeatedly sends output data of all 0's. This keeps the remote devices watchdog fed while waiting for the first DOIT command.

When the command completes (the command register is clear), the data register can be read to determine if all selected channels have started. A 1 bit in any position in the data register indicates that the corresponding channel has failed to start. If a channel has failed to start, more information about the failure can be determined by reading the CS register of the failed channel.

Once a DOIT command has been executed, the firmware no longer "chatters" and it becomes the responsibility of the host interface to continue sending DOIT commands at a rate sufficient to feed the remote devices watchdog (faster than 20 Hz with the default 50 mS watchdog timeout period). If this is not done, the remote device's watchdog will bite, disabling its outputs and setting the fault flag. This will require a channel stop followed by a channel start to resume normal operations.



# REFERENCE INFORMATION

## SSLBP

### STOP ALL

A STOPALL command is issued to stop all channel communication. *STOPALL resets all channel variables and should always be issued by a driver when initializing the SSLBP interface.* A STOPALL followed by a START command can be used after a fault condition to re-establish communication with the remote LBP devices. Device discovery is only done once when START command is issued to a STOPed SSLBP. This means that if cabling, devices, or device hardware modes are are changed, a STOPALL command followed by a START command must be issued by the host to detect the changes. A STOPALL command is 0x0800.

### STOP INDIVIDUAL CHANNELS

In addition to stopping all channels, a individual stop command can be issued. A individual stop command include a bitmask of the channels to stop in the least significant 8 bits of the command (the N bits), that is a stop channel 1 command would be 0x802. The intended use of individual stop is per channel error recovery. It should not be used for normal interface startup as it does not reset channel variables, that is a 0x8FF command (stop all individual channels) is not equivalent to a 0X800 (STOPALL) command.

### DOIT

In normal operation SSLBP is designed to send host data from the interface registers to the remote device and request data from the remote device for presentation in the interface registers to the host. This SSLBP function is designed for high speed real time operation. Synchronization with the host is accomplished with the DOIT command.

When the host writes a DOIT command,, all outgoing process data from the host is sent to the remote devices and incoming process data is requested. Completion of the DOIT command is signaled by SSLBP clearing the COMMAND register. A DOIT command is completed when al requested channel transfers have completed or timed out. After the completion of a successful DOIT command, the incoming process data from the remote can be read.

A DOIT command contains the DOIT bit and an 8 bit mask in the 8 LSBs that selects the channels that will be requested to transfer data. *A DOIT should not be requested on an inactive channel, that is a channel that did not start.* After DOIT command completion the data register will contain a bit mask of channel status data. If any bit is set in the data register, it indicates a problem with the transfer (all zeros indicates no faults or errors).

The data register contents returned after a DOIT command can be used to minimize host access cycles by avoiding the need to read the per channel status registers. If detailed fault information is desired, the CS register can be read on any channel that shows a failed transfer.

# REFERENCE INFORMATION

## SSLBP

### PER CHANNEL INTERFACE DATA REGISTERS

SSLBP supports three 32 bit interface data registers per channel. These are called interface register 0, interface register 1, and interface register 2. These are read/write registers with independent incoming and outgoing data. These registers are used for both setup/discovery data when starting a data link and process data once the link is running. When a start command is issued and has successfully completed, per channel setup data will be available in the interface registers.

### PER CHANNEL CONTROL AND STATUS REGISTERS

SSLBP has a 32 bit control and status register for each channel. Like the interface data registers, these registers are used both for data link startup information and for status when the link is in operation.

### REMOTE MODES

Some remote devices have software selectable modes that determine the specific data transferred for each DOIT command. These modes are selected by writing the mode number to the most significant byte of the remote channels CSR before a START or SETUP START command is issued. A default value of 0x00000000 should be written to all CSRs if MODE is not used.

#### REMOTE MODE IS WRITTEN TO CSR MS BYTE BEFORE START

CS REG	MODE	0	0	0.
--------	------	---	---	----

### INTERFACE AND CS REGISTER DATA AT START

After a successful start command (either setup start or normal start), Interface register 0 reports the remote device's unit number. This is the number printed on the card label. Interface register 1 reports the remote device's 4 letter name (LSB first). Interface register 2 reports the remote devices global table of contents pointer (GTOCP) and process table of contents pointer (PTOCP) for the currently selected remote device mode. The GTOCP and PTOCP will be 0x0000 for devices that do not support process data discovery. *Note that the setup data will be overwritten with process data once the first DOIT command is issued.*

#### READ DATA FROM PER CHANNEL INTERFACE REGISTERS AFTER START

CS REG	X	COM_STATE	STATUS	LOCAL FLT.
INTERFACE 0	UNIT# BYTE 3	UNIT# BYTE 2	UNIT# BYTE 1	UNIT# BYTE 0
INTERFACE 1	NAME BYTE 3	NAME BYTE 2	NAME BYTE 1	NAME BYTE 0
INTERFACE 2	GTOCP BYTE1	GTOCP BYTE 0	PTOCP BYTE1	PTOCP BYTE 0

# REFERENCE INFORMATION

## SSLBP

### CS REGISTER AFTER START

The CS register is used for local SSLBP, and remote LBP device status and control information. Read access returns status information in both normal and setup mode. In normal mode, writes to the CS register are not used. After a normal start or setup start the CS register has the following format:

Byte3 = X undefined for SSLBP versions < 29, remote fault for versions >28 (See CS REGISTER AFTER DOIT section)

Byte2 = COM\_STATE Communication state code (debug only)

Byte1 = Communication status code (0x00 for OK)

Bit 7 = CommunicationNotReady

Bit 6 = NoRemotelD

Bit 5 = CommunicationError

Bit 0 = RemoteFault

Byte0 = Local Communication faults (sticky, cleared only by STOP)

Bit 7 = TooManyerrors

Bit 6 = RemoteFault

Bit 5 = SerialBreakError

Bit 4 = ExtraCharacterError

Bit 3 = TimeoutError

Bit 2 = OverrunError

Bit 1 = InvalidCookieError

Bit 0 = CRCError

# REFERENCE INFORMATION

## SSLBP

### CS REGISTER AFTER DOIT

After a successful DOIT command, or normal start with SSLBP versions >28 bytes 0 through 2 of CS register are the same as after a start command but in addition, the previously invalid byte 3 of the CS register contains remote fault information:

Byte3 = REMOTE\_FAULTS

Bit 7 = LBPCOMFault

Bit 6 = IllegalMode Fault

Bit 5 = LowVoltageFault

Bit 4 = HighVoltageFault

Bit 3 = OverCurrentFault

Bit 2 = OverTempFault

Bit 1 = NoEnableFault

Bit 0 = WatchdogFault

# REFERENCE INFORMATION

## SSLBP

### PROCESS DATA DISCOVERY

The SSLBP interface provides information to allow the host to determine the name, number, units, sizes, types, directions, and scaling of process data elements. This information is read from the remote device via a setup mode start followed by a series of remote read operations.

*Note to the bewildered: process data discovery and its complications are not needed to access the 7171 via SSLBP. In fact the 7171's data can be accessed via SSLBP with no more than a few register reads and writes. The sole purpose of process data discovery is to allow the driver to present nicely named and formatted data to the host without the driver having any built in knowledge of the remote device.*

### PROCESS TABLE OF CONTENTS

After a normal start or setup start command, the PTOCP word in the low word of interface register 2 is a pointer to the current process table of contents (PTOC) in the remote device.

*If remote devices that do not support process device discovery are present, their PTOCP will be 0, and process data organization must be inferred from the remote device name.*

Remote reads from this location will return the first entry in the PTOC. All PTOC entries are pointers with a size of 2 bytes. The end of the PTOC is marked with a 0 sentinel. Each PTOC entry points to a process data descriptor. Here is an example of a 5 entry PTOC (PDD is Process Data Descriptor)

ENTRY	ADDRESS	CONTENTS
0	PTOCP	POINTER TO PDD 0
1	PTOCP+2	POINTER TO PDD 1
2	PTOCP+4	POINTER TO PDD 2
3	PTOCP+6	POINTER TO PDD 3
4	PTOCP+8	POINTER TO PDD 4
5	PTOCP+10	0x0000 (END OF TABLE)

# REFERENCE INFORMATION

## SSLBP

### PROCESS DATA DESCRIPTOR

Each PTOC entry points to a process data descriptor or a mode descriptor. Each process data descriptor is a record with fields for data size, data type, data direction, minimum and maximum values, the address of the process data and the unit name and process data name. Each process data element has a corresponding process data descriptor record. In addition there are mode descriptor records that indicate the current hardware and software modes of the remote device. The process data descriptor record structure is as follows:

FIELD NAME	FIELD LENGTH	DESCRIPTION
RECORD_TYPE	8 BITS	RECORD TYPE = 0xA0
DATA_SIZE	8 BITS	DATA SIZE IN BITS
DATA_TYPE	8 BITS	DATA ELEMENT TYPE
DATA_DIRECTION	8 BITS	DATA DIRECTION
PARAM_MIN	32 BITS	IEEE-754 FP PARM MIN
PARAM_MAX	32 BITS	IEEE-754 FP PARM MAX
PARAM_ADD	16 BITS	ADDRESS OF PARM
UNIT_STRING	VARIABLE	NULL TERM. STRING
NAME_STRING	VARIABLE	NULL TERM. STRING

### PROCESS DATA DESCRIPTOR FIELDS

#### RECORD\_TYPE

The RECORD\_TYPE field is a single byte at the beginning of the process data descriptor for record typing and sanity checking. It is 0xA0 for process data records.

#### DATA\_LENGTH

The DATA\_LENGTH field is a single byte field that specifies the length of the process data element in bits. Minimum is 1 bit, maximum is 255 bits, however current SSLBP implementations are limited by the number of interface registers to a maximum of 96 bits.

# REFERENCE INFORMATION

## SSLBP

### DATA\_TYPE

The DATA\_TYPE field is a single byte field that specifies the data type of the process data element. Data types are as follows:

NUMBER	DATA_TYPE	NOTE
0x00	PAD	To pad for byte alignment
0x01	BITS	Packed bits, LSB is BIT 0
0x02	UNSIGNED	Numeric unsigned
0x03	SIGNED	Numeric twos complement LSB first
0x04	NONVOL_UNSIGNED	Numeric unsigned
0x05	NONVOL_SIGNED	Numeric twos complement LSB first
0x06	STREAM	Continuous data stream
0x07	BOOLEAN	Any length non-zero = true

### DATA\_DIRECTION

The DATA\_DIRECTION field is a single byte field that specifies the data direction. Valid Data direction bytes are as follows:

0x00	INPUT	(Read from remote)
0x40	BI_DIRECTIONAL	(Read from and written to remote)
0x80	OUTPUT	(Written to remote)

### PARAMETER\_MIN

The PARAMETER\_MIN field is a 32 bit IEEE-754 floating point number that specifies the minimum value of the process data element. This is to allow the driver to present data in engineering units. Not valid for non-numeric data types

### PARAMETER\_MAX

The PARAMETER\_MAX field is a 32 bit IEEE-754 floating point number that specifies the maximum value of the process data element. This is to allow the driver to present data in engineering units. Not valid for non-numeric data types.

# REFERENCE INFORMATION

## SSLBP

### UNIT\_STRING

The UNIT\_STRING is a variable length null terminated string that specifies the units of the process data element

### NAME\_STRING

The NAME\_STRING is a variable length null terminated string that begins immediately after the UNIT\_STRING. It specifies the name of the process data element.

### NUMERIC PROCESS DATA SCALING

Currently all numeric process data is simple unsigned or signed (twos complement) binary data. The process data element PARAM\_MIN and PARAM\_MAX values in conjunction with the DATA\_SIZE can be used to scale this numeric data.

For unsigned data, PARAM\_MIN corresponds to a value of 0 and PARAM\_MAX corresponds to a value of  $(2^{DATA\_SIZE}) - 1$ . Meaning scaled unsigned data is  $RAW\_DATA * (PARAM\_MAX - PARAM\_MIN) / ((2^{DATA\_SIZE}) - 1) + PARAM\_MIN$ .

For signed data. PARAM\_MIN corresponds the value  $-(2^{DATA\_SIZE-1}) - 1$  and PARAM\_MAX corresponds the value  $(2^{DATA\_SIZE-1}) - 1$ , meaning scaled signed data is  $RAW\_DATA * (PARAM\_MAX - PARAM\_MIN) / ((2^{DATA\_SIZE-1}) - 1) + PARAM\_MIN$ .

### MODE DESCRIPTOR

In addition to the process data descriptors, the PTOC will have pointers to two mode descriptors. These are the currently selected hardware and software modes of the remote device.

FIELD NAME	FIELD LENGTH	DESCRIPTION
RECORD_TYPE	8 BITS	RECORD TYPE = 0xB0
MODE INDEX	8 BITS	WHICH MODE
MODE TYPE	8 BITS	MODE TYPE
UNUSED	8 BITS	UNUSED
MODE_NAME_STRING	VARIABLE	NULL TERM. STRING

### MODE TYPES

Currently there are only two mode types, HWMODE = 0x00 and SWMODE = 0x01 these correspond to hardware (EEPROM or Jumper setting )and software (dynamically changeable operational modes)



# REFERENCE INFORMATION

## SSLBP

### PROCESS DATA ELEMENT PACKING AND UNPACKING

Ultimately all process data is transferred to and from the host via the interface 0,1,2 registers.

*The packing of outgoing process data elements into these interface registers and unpacking of incoming process data elements from these interface registers is done in the order of process data descriptors listed in the PTOC. Process data elements in PTOC order and process descriptor DATA\_SIZE are packed into or unpacked from the interface registers from LSB to MSB and from interface register 0 through interface register 2.*

Read data and bidirectional data is unpacked from the interface registers read by the host. Write data and bidirectional data is packed into the interface registers written by the host.

Before a DOIT command is written to start a data transfer cycle with the remote device, the host must write its packed outgoing process data (OPD in table below) to the interface registers. (The CS register not currently used for outgoing data/control so is not written)

### HOST WRITES OUTGOING INTERFACE REGISTERS BEFORE DOIT

CS REG	MODE	X	X	X
INTERFACE 0	OPD BYTE 3	OPD BYTE 2	OPD BYTE 1	OPD BYTE 0
INTERFACE 1	OPD BYTE 7	OPD BYTE 6	OPD BYTE 5	OPD BYTE 4
INTERFACE 2	OPD BYTE 11	OPD BYTE 10	OPD BYTE 9	OPD BYTE 8

# REFERENCE INFORMATION

## SSLBP

### PROCESS DATA ELEMENT PACKING AND UNPACKING

After the DOIT command has completed, the incoming process data (IPD in table below) can be read along with the local and remote faults.

#### HOST READS INCOMING INTERFACE REGISTERS AFTER DOIT

CS REG	REMOTE. FLT	COM_STATE	STATUS	LOCAL FLT.
INTERFACE 0	IPD BYTE 3	IPD BYTE 2	IPD BYTE 1	IPD BYTE 0
INTERFACE 1	IPD BYTE 7	IPD BYTE 6	IPD BYTE 5	IPD BYTE 4
INTERFACE 2	IPD BYTE 11	IPD BYTE 10	IPD BYTE 9	IPD BYTE 8

### 7171 SPECIFIC PROCESS DATA EXAMPLE

Process data is remote device dependent and also dependent on remote device mode. The 7171 supports 2 software modes.

The software modes determine whether the 7171 card is in output only or output and field voltage mode. In output only mode 48 bits of output data are send to the 7171 every transfer and no data is returned. In output and field voltage mode, 48 bits of output data are transferred to the 7171 and 16 bits of analog field voltage data are returned.

## REFERENCE INFORMATION

### SSLBP

#### 7171 SPECIFIC PROCESS DATA EXAMPLE

In the default input/output mode the process data appears in the interface registers in the order shown:

#### 7171 OUTGOING PROCESS DATA FOR OUTPUT AND FIELD VOLTAGE MODE

CS REG	X	X	X	X
INTERFACE 0	TB2 BITS 31..24	TB3 BITS 23..16	TB3 BITS 15..8	TB3 BITS 7..0
INTERFACE 1	X	X	TB2 BITS 47..40	TB2BITS 39..32
INTERFACE 2	X	X	X	X

#### 7171 INCOMING PROCESS DATA FOR DEFAULT INPUT/OUTPUT MODE

CS REG	REMOTE. FLT	COM_STATE	STATUS	LOCAL FLT.
INTERFACE 0	X	X	FIELD V 8..15	FIELD V 0..7
INTERFACE 1	X	X	X	X
INTERFACE 2	X	X	X	X

Note that this information is just for user convenience and the process data organization in the interface registers can be determined by process data discovery.

# REFERENCE INFORMATION

## SSLBP

### NORMAL MODE OPERATION

In normal mode the sequence of operations for a cyclic access with write before read is as follows:

Note steps 1 through 5 are setup operations and are only done once per session

1. Issue STOP ALL command (0x800), wait for COMMAND register clear to verify stop command completion.
2. Issue normal START command (0x9NN) with bitmask (NN) of channels to start.
3. Wait for COMMAND register clear to verify start command completion. (may be many mS)
4. Read data register to verify that all selected channels started (a 1 in any channel position bit means a fault in the channel that the bit represents)
5. Read device unit number (This can only be read before DOIT has been asserted)
6. Check command register, if not clear, cycle time is too short.  
  
(Note the command register should never be written to when not clear except to issue a stop command or when written with the command ignore bit set)
7. Check data register, any 1 bits indicate previous DOIT command failed for in the corresponding channels
8. Read per channel Interface register 0 and interface register 1 for input process data
9. Write per channel output process data ( for 7I71) to interface 0 register and interface 1 register
10. Write DOIT command = 0x10NN where NN is the bit mask of channels to initiate transfers.
11. Wait for next cycle, at next cycle time, loop back to state 6

This sequence can be modified if a read-modify-write sequence is required, this requires polling the command register for send/receive completion. This will take a maximum of 100 uSec from the DOIT command to command register clear and valid input data.

# REFERENCE INFORMATION

## SETUP START

When the FPGA is first configured or after a stop all command, all LBP communication channels are idle. A SETUP START command first initializes and all local communication, error and status parameters and begins to establish communications with all remote LBP devices. Unlike the NORMAL START command, SETUP START does no device specific setup but instead creates a pass-through access mode that allows the host to read or write any remote LBP device parameter. This allows simple utilities to setup 7I71 volatile and non-volatile parameters, and allows the host to do process data discovery to determine the input and output process data information from the remote device.

### SETUP MODE OPERATION

In setup mode the SSLBP interface is used as a passthrough device to allow reading and writing parameters to the remote LBP device.

### REMOTE READ EXAMPLE:

For a remote word read, the sequence of operations is as follows:

1. Issue a STOPALL command (0x800), wait for COMMAND register clear to verify stop command completion.
2. Issue a setup START command (0xFNN) with bitmask (NN) of channels to start
3. Wait for COMMAND register clear to verify start command completion. (may be many mS)
4. Read data register to verify that all selected channels started (a 1 bit means a fault in the channel that the bit represents)
5. Write LBP word read command (0x45) in the MSByte ORed with the parameter address to the selected channels CS register. (0x4500PPPP)
6. Issue a DOIT Command
7. Wait for the command register to be clear
8. Check that the data register is clear, any set bits indicate an error
9. Read the returned data in the LS word of the selected channels Interface0 register
10. Repeat from step 5 for any additional remote data reads

Remote read byte, word, long and double are basically equivalent, the only difference being the LBP command (0x44,0x45,0x46,0x47 respectively) and the size of the data read from the interface register(s)

# REFERENCE INFORMATION

## SSLBP

### REMOTE WRITE EXAMPLE:

For a remote word write, the sequence of operations is as follows:

1. Issue a STOPALL (0x800) command, wait for COMMAND register clear to verify stop command completion.
  2. Issue a setup START command (0xFNN) with bitmask (NN) of channels to start
  3. Wait for COMMAND register clear to verify start command completion. (may be many mS)
  4. Read data register to verify that all selected channels started (a 1 bit means a fault in the channel that the bit represents)
  5. Write the new parameter data to the selected channels Interface0 register (right justified)
  6. Write LBP word write command (0x65) in the MSByte ORed with the parameter address to the selected channels CS register. (0x6500PPPP)
  7. Issue a DOIT Command
  8. Wait for the command register to be clear
  9. Check that the data register is clear, any set bits indicate an error
- . Repeat from step 5 for any additional remote parameter writes

Remote write byte, word, long and double are basically equivalent, the only difference being the LBP command (0x64,0x65,0x66,0x67 respectively) and the size of the data written to the interface register(s)

# REFERENCE INFORMATION

## SSLBP

### DISCOVERY SEQUENCE:

for process data discovery (of one channel) the sequence of operations is as follows:

Note that the first section acquires the PTOC and the second section reads the records pointed to by the PTOC. For brevity, the remote read sequence (steps 5 through 9 of the remote read procedure) will be listed here as "remote read"

### FIRST PART, ACQUIRE PTOC:

1. Issue a STOPALL (0x800) command, wait for COMMAND register clear to verify stop command completion.
2. Issue a setup START command (0xFNN) with bitmask (NN) of channels to start
3. Wait for COMMAND register clear to verify start command completion. (may be many mS)
4. Read data register to verify that the selected channels started (a 1 bit means a fault in the channel that the bit represents)
5. Read PTOCP from interface register 2, of selected channel, if zero, remote device does not support discovery
6. Remote read word at PTOCP
7. If word data is 0, PTOC collection is complete goto step 11
8. Save value in local PTOC table, and increment local PTOC table index
9. Increment PTOCP value by 2 (as it is a word pointer)
10. Repeat from step 6

# REFERENCE INFORMATION

## SSLBP

### DISCOVERY SEQUENCE

SECOND PART, READ PROCESS DESCRIPTOR AND MODE DESCRIPTOR RECORDS:

11. For each PTOC entry acquired in the previous step:
12. Remote read byte at PTOC+0
12. If byte is 0xA0, proceed to step 16, reading process data descriptor
14. If byte is 0xB0, proceed to step 25 reading mode descriptor
15. If byte is neither, there is a error
16. Remote read byte at PTOC+1 This is DATA\_SIZE
17. Remote read byte at PTOC+2 This is DATA\_TYPE
18. Remote read byte at PTOC+3 This is DATA\_DIRECTION
19. Remote read long at PTOC+4 This is PARAM\_MIN.
20. Remote read long at PTOC+8 This is PARAM\_MAX
21. Remote read word at PTOC+10 This is PARAM\_ADD (not used normally)
22. Read UNIT\_STRING starting at PTOC+12
  - Initialize CharPointer to PTOC+12
  - repeat (remote read byte at CharPointer, increment CharPointer, if byte is 0: done)
23. Read NAME\_STRING starting at CharPointer
  - repeat (remote read byte at CharPointer, increment CharPointer, if byte is 0: done)
24. Repeat with next PTOC = step 11



# REFERENCE INFORMATION

## SSLBP

### DISCOVERY SEQUENCE

SECOND PART, READ PROCESS DESCRIPTOR AND MODE DESCRIPTOR RECORDS:

25. Remote read byte at PTOC+1 This is MODE\_INDEX

26. Remote read byte at PTOC+2 This is MODE TYPE

27. Read MODE\_NAME\_STRING starting at PTOC+4

    Initialize CharPointer to PTOC+4

    repeat (remote read byte at CharPointer, increment CharPointer, if byte is 0: done)

28. Repeat with next PTOC = step 1

29. Select next channel # and repeat from step 5

## REFERENCE INFORMATION

### LBP

LBP is a simple binary master slave protocol where the host sends read, write, or RPC commands to the 7I71, and the 7I71 responds. All controller communication to the 7I71 is done via LBP. LBP commands always start with a command header byte. This header specifies whether the command is a read or write or RPC, the number of address bytes(0, or 2), and the number of data bytes(1 through 8).The 0 address size option indicates that the current address pointer should be used. This address pointer will be post incremented by the data size if the auto increment bit is set. RPC commands allow any of up to 64 stored commands to be executed in response to the single byte command.

Note that the low level serial interface details presented here are not normally needed for 7I71 card access, as all the low level details are handed by the SSLBP code in the SSerial interface built into the FPGA, but is presented here for completeness.

#### LBP DATA READ/WRITE COMMAND

0	1	WR	RID	AI	AS	DS1	DS0
---	---	----	-----	----	----	-----	-----

- Bit 7.. 6      **CommandType:** Must be 01b to specify data read/write command
- Bit 5          **Write:** 1 to specify write, 0 to specify read
- Bit 4          **RPCIncludesData:** 0 specifies that data is from stream, 1, that data is from RPC (RPC only, ignored for non RPC commands)
- Bit 3          **AutoInc:** 0 leaves address unchanged, 1 specifies that address is post incremented by data size in bytes.
- BIT 2          **AddressSize:** 0 to specify current address, 1 to specify 2 byte address.
- Bit 1..0      **DataSize:** Specifies data size, 00b = 1 bytes, 01b = 2 bytes, 10 b= 4 bytes, 011b = 8 bytes.

When multiple bytes are specified in a read or write command, the bytes are always written to or read from successive addresses. That is, a 4 byte read at location 0x21 will read locations 0x21, 0x22, 0x23, 0x24. The address pointer is not modified after the command unless the AutoInc bit is set.

## REFERENCE INFORMATION

### LBP

#### EXAMPLE LBP COMMANDS

Write 4 bytes (0xAA, 0xBB,0xCC,0xDD) to addresses 0x010,0x011,0x012,0x013 with AutoInc so that the address pointer will be left at 0x014 when the command is completed:

COMMAND BITS	CT1	CT0	WR	RID	AI	AS	DS1	DS0
<b>LBPWrite: 2 add 4 data</b>	0	1	1	0	1	1	1	0
Write Address LSB	0	0	0	1	0	0	0	0
Write Address MSB	0	0	0	0	0	0	0	0
Write data 0	1	0	1	0	1	0	1	0
Write Data 1	1	0	1	1	1	0	1	1
Write Data 2	1	1	0	0	1	1	0	0
Write Data 3	1	1	0	1	1	1	0	1

Write 2 more bytes (0xEE,0xFF) at 0x014 and 0x015:

COMMAND BITS	CT1	CT0	WR	RID	AI	AS	DS1	DS0
<b>LBPWrite: 0 add 2 data</b>	0	1	1	0	0	0	0	1
Write data 0	1	1	1	0	1	1	1	0
Write data 1	1	1	1	1	1	1	1	1

Read 8 bytes at 0x010,0x011,0x012,0x013,0x014,0x015,0x016,0x017:

COMMAND BITS	CT1	CT0	WR	RID	AI	AS	DS1	DS0
<b>LBPRead: 2 add 8 data</b>	0	1	0	0	0	1	1	1
Read Address LSB	0	0	0	1	0	0	0	0
Read Address MSB	0	0	0	0	0	0	0	0

# REFERENCE INFORMATION

## LBP

### LOCAL LBP COMMANDS

In addition to the basic data access commands, there are a set of commands that access LBP status and control the operation of LBP itself. These are organized as READ and WRITE commands

### LOCAL LBP READ COMMANDS

(HEX), all of these commands return a single byte of data.

**0xC0** Get unit address

**0xC1** Get LBP status

LBP Status bit definitions:

BIT 7 Reserved

BIT 6 Command Timeout Error

BIT 5 Invalid write Error (attempted write to protected area)

BIT 4 Buffer overflow error

BIT 3 Watchdog timeout error

BIT 2 Reserved

BIT 1 Reserved

BIT 0 CRC error

**0xC2** Get CRC enable status (note CRCs are always enabled on the 7171)

**0xC3** Get CRC error count

**0xC4 .. 0xC9** Reserved

**0xCA** Get Enable\_RPCMEM access flag

**0xCB** Get Command timeout (character times/10 for serial)

**0xCC .. 0xCF** Reserved

**0xD0 .. 0xD3** 4 character card name

# REFERENCE INFORMATION

## LBP

### LOCAL LBP READ COMMANDS

**0xD5 .. 0xD7** 4 character configuration name (only on some configurations)

**0xD8** Get low address

**0xD9** Get high address

**0xDA** Get LBP version

**0xDB** Get LBP Unit ID (Serial only, not used with USB)

**0xDC** Get RPC Pitch

**0xDD** Get RPC SizeL (Low byte of RPCSize)

**0xDE** Get RPC SizeH (High byte of RPCSize)

**0xDF** Get LBP cookie (returns 0x5A)

# REFERENCE INFORMATION

## LBP

### LOCAL LBP WRITE COMMANDS

(HEX), all of these commands except 0xFF expect a single byte of data.

**0xE0** Reserved

**0xE1** Set LBP status (0 to clear errors)

**0xE2** Set CRC check enable (Flag non-zero to enable CRC checking)

**0xE3** Set CRC error count

**0xE4 .. 0xE9** Reserved

**0xEA** Set Enable\_RPCMEM access flag (non zero to enable access to RPC memory)

**0xEB** Set Command timeout (in mS for USB and character times for serial)

**0xEC .. 0xEF** Reserved

**0xF0 .. 0xF6** Reserved

**0xF7** Write LEDs

**0xF8** Set low address

**0xF9** Set high address

**0xFA** Add byte to current address

**0xFB .. 0xFC** Reserved

**0xFD** Set unit ID (serial only)

**0xFE** Reset LBP processor if followed by 0x5A

**0xFF** Reset LBP parser (no data follows this command)

# REFERENCE INFORMATION

## LBP

### RPC COMMANDS

RPC commands allow previously stored sequences of read/write commands to be executed with a single byte command. Up to 64 RPC's may be stored. RPC write commands may include data if desired, or the data may come from the serial data stream. RPCs allow significant command compression which improves communication bandwidth. When used with SSLBP, the 7I71s process data transfer uses an RPC for efficiency

### LBP RPC COMMAND

1	0	RPC5	RPC4	RPC3	RPC2	RPC1	RPC0
---	---	------	------	------	------	------	------

Bit 7..6      **CommandType:** must be 10b to specify RPC

Bit 5..0      **RPCNumber:** Specifies RPC 0 through 63

In the 7I71 LBP implementation, RPCPitch is 0x8 bytes so each RPC command has native size of 0x08 bytes and start 0x8 byte boundaries in the RPC table area. RPCs can cross RPCPitch boundaries if larger than RPCPitch RPCs are needed. The stored RPC commands consist of LBP headers and addresses, and possibly data if the command header has the RID bit set. RPC command lists are terminated by a 0 byte.

The RPC table is accessed at addresses 0 through RPCSize-1 This means with a RPCPitch of 0x8 bytes, RPC0 starts at 0x0000, RPC1 starts at 0x008, RPC2 starts at 0x0010 and so on.

Before RPC commands can be written to the RPC table, the RPCMEM access flag must be set. The RPCMEM access flag must be clear for normal operation.

## REFERENCE INFORMATION

### LBP

#### EXAMPLE RPC COMMAND LIST

This is an example stored RPC command list. Note RPC command lists must start at a RPCPitch boundary in the RPC table but an individual RPC list can extend until the end of the table. This particular RPC example contains 2 LBP commands and uses 7 bytes starting at 0x0028 (RPC5 for 0x08 pitch RPC table)

Command1. Writes two data bytes to address 0x10, 0x11 with 2 data bytes supplied by host

Command2. Reads two data bytes from address 0x12,0x13

COMMAND BITS	CT1	CT0	WR	RID	I	AS	DS1	DS0
<b>LBPWrite: 2 add 2 data</b>	0	1	1	0	0	1	0	1
Write Address LSB	0	0	0	1	0	0	0	0
Write Address MSB	0	0	0	0	0	0	0	0
<b>LBPRead: 2 add 2 data</b>	0	1	0	0	0	1	0	1
Read Address LSB	0	0	0	1	0	0	1	0
Read Address MSB	0	0	0	0	0	0	0	0
<b>Terminator</b>	0	0	0	0	0	0	0	0

The data stream for this RPC would consist of these 3 bytes:

COMMAND BITS	CT1	CT0	R5	R4	R3	R2	R1	R0
<b>RPC 5</b>	1	0	0	0	0	1	0	1
Data 0 for Command 1	0	1	0	1	0	1	0	1
Data 1 for Command 1	1	1	0	0	1	1	0	0



## REFERENCE INFORMATION

### CRC

LBP on the 7171 uses CRC checking of all commands and data to insure validity. The CRC used is a 8 bit CRC using the same polynomial as the Dallas/Maxim one wire devices ( $X^8+X^5+X^4+X^0$ ). The CRC must be appended to all LBP commands and all returned data will have a CRC byte appended. Commands with no returned data (writes or RPCs with no reads) will still cause a CRC byte to be returned, this CRC byte will always be 00H.

### FRAMING

Since LBP is a binary protocol with no special sync characters, the packet framing must be determined by other methods.

Framing is done by a combination of timing and pre-parsing the serial data. Timing based framing is used to reset the parser at gaps in the serial data stream. This provides fast resynchronization to allow robust operation in noisy environments. The actual timeout used needs to be optimized for the operating mode. In setup mode where a non real-time OS may be communicating with the remote device, the frame timing is set to its maximum value (25.5 character times). This is equivalent to 2.1 mS at 115200 baud. This means that host communications cannot have more than 2.1 mS delays between characters in a command sequence when in setup mode.

In operate mode, command timeout is set by SSLBP to be 4 character times (16 uSec at 2.5M baud). The SSLBP firmware always sends commands in bursts without inter-character gaps so will always meet this timing. The timing is set short so that the parser on the remote device will always be reset and ready for the next command at the highest repetition rates even if data has been corrupted by noise so that incomplete commands have been received.

# REFERENCE INFORMATION

## SSERIAL REMOTE RPCS

SSerial remote devices must implement three special RPCs to be compatible with the hosts FPGA SSLBP firmware. These RPCs may be normal in-memory RPCs or special hardwired RPCs for speed. Normal programmable RPCs are not required for compatibility with SSLBP so need not be implemented.

### UNIT NUMBER RPC

The unit number RPC returns the 4 byte remote unit number. Like all LBP data this is sent LSB first. This RPC is 0xBB hex.

### DISCOVERY RPC

The discovery RPC returns the total sizes of the receive and transmit process data in bytes and returns 16 bit pointers to the PTOC and GTOC (which are in turn tables of pointers to process data records and mode records). The discovery RPC is 0xBC hex.

Return data bytes are in the following order: RXSize, TXSize, PTOCLSB, PTOCMSB, GTOCLSB, GTOCMSB.

RXSize is host relative so this is the size of data that the remote transmits. Likewise TXSize is host relative so this is the size of process data the remote receives. Note that the remote should check its remote SW mode and remote HW mode flags and return size data and pointers appropriate for the currently selected mode. Note that the remote always sends remote fault data as the first byte of the process data sent to the host. This extra byte of data must be reflected in the RXSize byte.

### PROCESS DATA RPC

The Process data RPC is used to transfer process data to and from the host. The process data RPC should always receive and send the amount of RX and TX data that the Discovery RPC indicates. As mentioned above, the first byte of data sent from the remote to the host is always remote fault information as listed in CS REGISTER AFTER DOIT section of the manual. The process data RPC is 0xBD hex.

## REFERENCE INFORMATION

### SPECIFICATIONS

	<b>MIN</b>	<b>MAX</b>	<b>NOTES</b>
LINK SUPPLY VOLTAGE 5V	3.9VDC	6VDC	From serial
5V CURRENT	----	30 mA	.
VIN (LOGIC POWER)	8VDC	32 VDC	
VIN POWER CONSUMPTION	----	1 W	Typ. 600 mW
FIELD POWER	5VDC	28VDC	
OUTPUT CURRENT	----	350 mA	Per output
(RESISTIVE LOADS AND INDUCTIVE LOADS WITH FLYBACK DIODE)			
OUTPUT CURRENT	----	60 mA	Per output
(INDUCTIVE LOADS WITH NO FLYBACK DIODE)			
PER DRIVER CHIP CURRENT	----	1.4A	Per chip
TEMPERATURE -C VERSION	0°C	70°C	
TEMPERATURE -I VERSION	-40°C	85°C	

# DRAWINGS

