

7I70 REMOTE ISOLATED 48 BIT INPUT MODULE

V1.12

Table of Contents

GENERAL	1
DESCRIPTION	1
HARDWARE CONFIGURATION	2
GENERAL	2
SETUP/OPERATE MODE	2
SERIAL PORT TERMINATION	2
VIN POWER SOURCE	2
CONNECTORS	3
7I70 CONNECTOR LOCATIONS AND DEFAULT JUMPER POSITIONS	3
FIELD INPUT CONNECTORS	4
TB3 CONNECTOR PINOUT	4
TB2 CONNECTOR PINOUT	5
SERIAL PORT PINOUT	6
SERIAL POWER	6
POWER CONNECTOR	7
OPERATION	8
HOST INTERFACE	8
HOSTMOT2 7I70 INTERFACE	8
POWER SUPPLY	8
INPUT CHARACTERISTICS	8
FIELD VOLTAGE MONITORING	8
ANALOG INPUTS	9
WATCHDOG AND FAULTS	9
STATUS LEADS	9
PARAMETERS	10
NON-VOLATILE PARAMETERS	10
OPERATE MODE BAUD RATE	11
WATCHDOG TIMEOUT	11
RPD, WPD, AND UFLBP	12
HOST PC SERIAL ADAPTER	13
MINIMAL HOST PC SERIAL ADAPTER	13
SOFTWARE PROCESS DATA MODES	14

Table of Contents

REFERENCE INFORMATION

SSLBP	15
GENERAL	15
REGISTER MAP	15
PROCESS INTERFACE REGISTERS	15
COMMAND REGISTER	16
COMMAND REGISTER WRITE IGNORE	16
DATA REGISTER	17
LOCAL READ OPERATIONS	17
LOCAL WRITE OPERATIONS	17
LOCAL PARAMETERS	18
NORMAL START	19
STOP ALL	20
STOP INDIVIDUAL CHANNELS	20
DOIT	20
PER CHANNEL INTERFACE DATA REGISTERS	21
PER CHANNEL CONTROL AND STATUS REGISTERS	21
REMOTE MODES	21
INTERFACE AND CS REGISTER CONTENTS AT START	21
CS REGISTER AFTER START	23
CS REGISTER AFTER DOIT	23
PROCESS DATA DISCOVERY	24
PROCESS TABLE OF CONTENTS	24
PROCESS DATA DESCRIPTOR	25
PROCESS DATA DESCRIPTOR FIELDS	25
RECORD_TYPE	25
DATA_LENGTH	25
DATA_TYPE	26
DATA_DIRECTION	26
PARAMETER_MIN	26
PARAMETER_MAX	26
UNIT_STRING	27
NAME_STRING	27
NUMERIC PROCESS DATA SCALING	27
MODE DESCRIPTOR	27
MODE TYPES	27
PROCESS ELEMENT PACKING AND UNPACKING	28
7170 SPECIFIC PROCESS DATA EXAMPLE	29
NORMAL MODE OPERATION	31
SETUP START	32
SETUP MODE OPERATION	32
REMOTE READ EXAMPLE	32
REMOTE WRITE EXAMPLE	33
DISCOVERY SEQUENCE	34

Table of Contents

REFERENCE INFORMATION	37
LBP	37
LBP DATA READ/WRITEWCOMMAND	37
EXAMPLE COMMANDS	38
LOCAL LBP COMMANDS	39
LOCAL LBP READ COMMANDS	39
LOCAL LBP WRITE COMMANDS	41
RPC COMMANDS	41
EXAMPLE RPC COMMAND LIST	43
CRC	44
FRAMING	44
SSERIAL REMOTE RPCS	45
SPECIFICATIONS	46
DRAWINGS	47

GENERAL

DESCRIPTION

The 7170 is a remote isolated 48 input card. The 7170 inputs sense positive inputs relative to a common field ground. Input impedance is 10K Ohms and input voltage can range from 5VDC to 32VDC. All inputs have LED status indicators. The input common field ground is galvanically isolated from the communications link.

The 7170 uses field power of 8VDC to 32VDC and sets its default input threshold to 50% of field power supply voltage with 10% hysteresis for noise immunity. Inputs can be programmed to other thresholds and filtering can be added if desired.

In addition to the being able to read digital on/off status of each input, all input pin voltages are readable with 8 bit resolution. The RS-422 interface at 2.5 MBaud is compatible with HostMot2s SSLBP smart serial interface which can support as many as 32 7170 cards for a total of 1536 inputs with real time update rates up to 10 KHz. 3.5 mm screw pluggable screw terminals are used for all isolated I/O.

HARDWARE CONFIGURATION

GENERAL

Hardware setup jumper positions assume that the 7170 card is oriented in an upright position, that is, with the RJ45 jack towards the left and the output terminal blocks toward the right and MESA 7170 logo upright.

SETUP/OPERATE MODE

The 7170 can run in setup mode or operate mode. In setup mode, the serial interface baud rate is fixed at 115.2 KBaud. In the operate mode, the baud rate is set to 2.5 Mbaud (default). Setup mode is also less critical of host interface timing and enables a normal PC serial port or USB serial adaptor to communicate with the 7170 for setup purposes. W6 controls the setup/normal mode selection.

W6	MODE	BAUD RATE
UP	Operate mode	2.5 Mbps (default, BR can be changed)
DOWN	Setup Mode	115.2 Kbps (fixed)

W4, and W5 are currently unused and should be left in the "DOWN" position

SERIAL PORT TERMINATION

The RS-422 serial port on the 7170 can be terminated or un-terminated. Normally the 7170 is the serial cable endpoint so the port must be terminated. W12 and W13 enable and disable the termination,

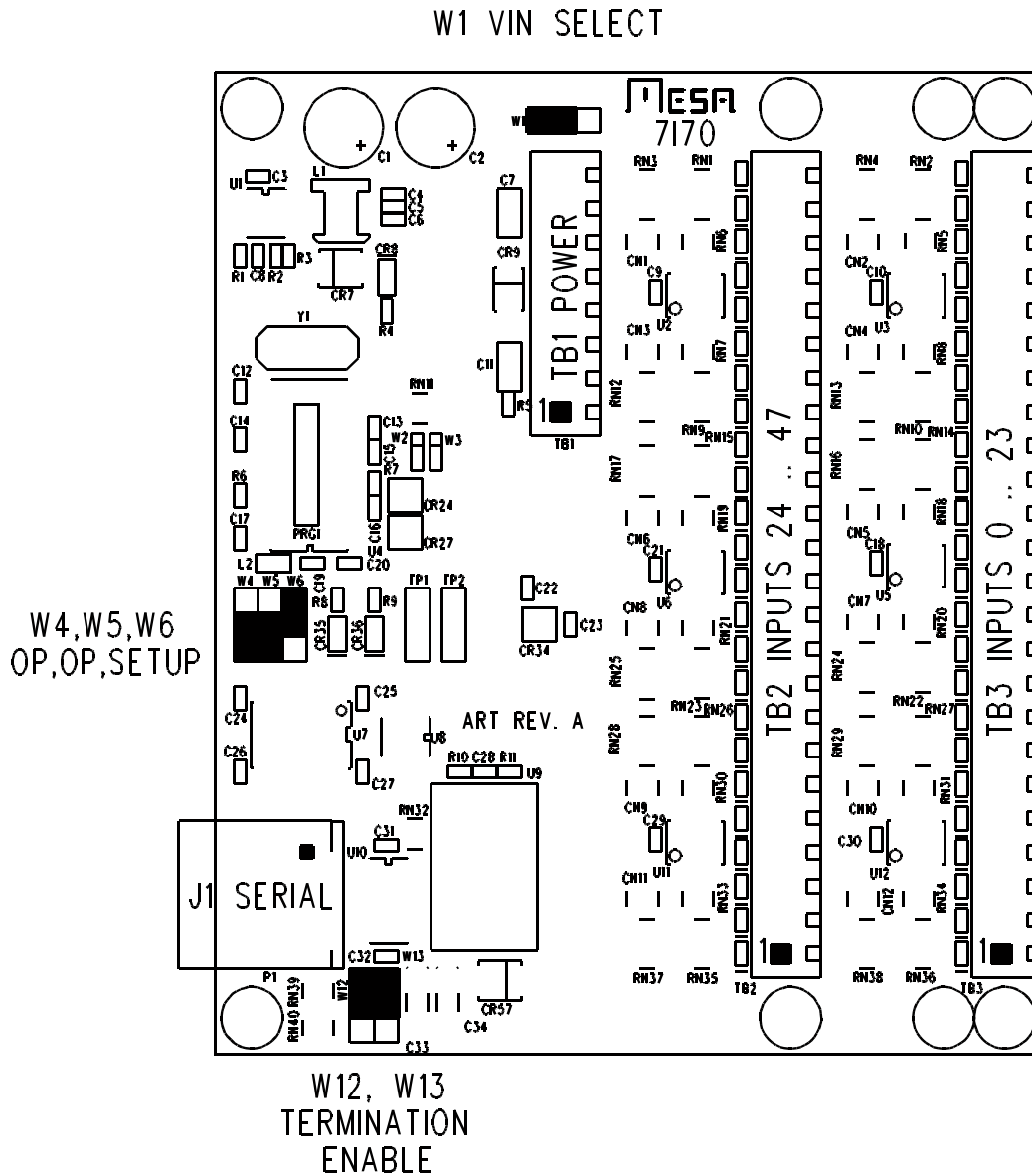
W12,W13	MODE
UP,UP	Terminated (default)
DOWN.DOWN	Unterminated

VIN POWER SOURCE

The local logic on the 7170 runs from a switching power supply that can be powered by field power or a separate supply (VIN) with ground common with field power. Normally the 7170 will be powered with field power and an on card jumper, W1 allows VIN to be connected to field power. If you wish to use a single power supply for the 7170s input and logic power, W1 should be placed in the left hand position. This connects field power to VIN. If you wish to use a separate supply for VIN, W1 Should be placed in the right hand position.

CONNECTORS

7170 CONNECTOR LOCATIONS AND DEFAULT JUMPER POSITIONS



CONNECTORS

FIELD INPUT CONNECTORS

Terminal blocks TB3 and TB2 are the 7170s field input terminals. Inputs 0 through 23 are terminated at TB3 and inputs 24 through 47 are terminated at TB2. TB3 and TB2 are 3.5 MM pluggable terminal block with supplied removable screw terminal plugs. Pin one is at the bottom edge of the 7170 card.

TB3 CONNECTOR PINOUT

TB3 PIN	INPUT	TB3 PIN	INPUT
1	INPUT0	13	INPUT12
3	INPUT1	14	INPUT13
3	INPUT2	15	INPUT14
4	INPUT3	16	INPUT15
5	INPUT4	17	INPUT16
6	INPUT5	18	INPUT17
7	INPUT6	19	INPUT18
8	INPUT7	20	INPUT19
9	INPUT8	21	INPUT20
10	INPUT9	22	INPUT21
11	INPUT10	23	INPUT22
12	INPUT11	24	INPUT23

CONNECTORS

TB2 CONNECTOR PINOUT

TB2 PIN	INPUT	TB2 PIN	INPUT
1	INPUT24	13	INPUT36
3	INPUT35	14	INPUT37
3	INPUT26	15	INPUT38
4	INPUT27	16	INPUT39
5	INPUT28	17	INPUT40
6	INPUT29	18	INPUT41
7	INPUT30	19	INPUT42
8	INPUT31	20	INPUT43
9	INPUT32	21	INPUT44
10	INPUT33	22	INPUT45
11	INPUT34	23	INPUT46
12	INPUT35	24	INPUT47

CONNECTORS

SERIAL PORT PINOUT

J1 is the 7170s serial interface. J1 is a RJ-45 jack. The serial interface pinout is compatible with standard 8 wire CAT5 Ethernet cables. J1 pinout is as follows:

PIN	SIGNAL	EIA/TIA 568B COLOR
1	RXA	ORANGE WHITE
2	RXB	ORANGE
3	TXA	GREEN WHITE
4	GND	BLUE
5	GND	BLUE WHITE
6	TXB	GREEN
7	+5V	BROWN WHITE
8	+5V	BROWN

J1s pinout is designed to match breakout cards like the 7144 and 7174. A standard CAT5 or CAT5E cable can be used to connect the 7170 to a 7144/7174. CAT5E cable is suggested if the serial cable is used for powering the 7170, as the larger wire size result in lower voltage drop.

SERIAL POWER

Normally the 7170 gets its 5V RS-422 transceiver power from the serial cable. Daughtercards normally condition the 7170's RS-422 signals for the FPGA controller and supply power to the 7170. The 7170 draws 30 mA maximum from the serial cable.

CONNECTORS

POWER CONNECTOR

TB1 is the 7170 power connector. TB1 pinout is as follows:

TB1 PIN	SIGNAL	FUNCTION
1	VFIELD	FIELD POWER 8-32V (Bottom pin)
2	VFIELD	FIELD POWER 8-32V
3	VFIELD	FIELD POWER 8-32V
4	VFIELD	FIELD POWER 8-32V
5	VIN	LOGIC POWER 8-32V
6	NC	
7	NC	
8	GROUND	VIN, VFIELD, COMMON (Top pin)

Note: *When W1 is in the left hand position, VIN is connected to VFIELD*

OPERATION

HOST INTERFACE

HOSTMOT2 7170 INTERFACE

The Hostmot2 interface to the 7170 is a smart serial interface for Mesa's Anything I/O series of FPGA cards that encapsulates the LBP serial protocol details and presents a simple parallel register set to the host computer. Interface registers for input data, output data and communication status are provided for all connected 7170 cards.

The 7170 Hostmot2 interface is a SSerial module with specific firmware (SSLBP) for 7170 card or other LBP interfaced cards. Each SSerial module can support up to eight 7170 cards. Up to four sserial modules can be used in a single FPGA configuration. The sserial module supports the standard LBP 2.5 M Baud communication rate and process data update rate to 10 KHz. With the default configuration reads 48 bits of input process data and 8 bits of fault data from the 7170 for each transfer request.

POWER SUPPLY

The 7170 runs from field power supplies of 8 to 32 VDC. Power consumption is approximately 600 mW or 25 mA at 24V.

INPUT CHARACTERISTICS

The 7170 field inputs have a nominal input resistance of 10K Ohms to field power ground. 7170 inputs sense positive input voltages above a preset threshold. For best general purpose use, default input threshold is 50% of the field power supply voltage with 10% hysteresis. That is with a 24V field voltage an input must be brought to 60% of 24V = 14.4V to be sensed as high and then brought to 40% of 24V = 9.6V to be sensed as low. These accurate thresholds and hysteresis allow high speed field signal detection while maintaining excellent noise immunity.

FIELD VOLTAGE MONITORING

The 7170 monitors the field voltage and can send this information to the host in some modes. If separate VIN is supplied to the 7170, the 7170 can report loss of field voltage to the host.

ANALOG INPUTS

All field input pins are capable of reading the input voltage. These are not highly accurate or high resolution but can be useful for things like potentiometer inputs. Input resolution is 8 bits and input full scale value is 36.3V. Accuracy is +-5%

One of the software process data modes allows reading 6 input channels in addition to the 48 digital bit inputs.

OPERATION

WATCHDOG AND FAULTS

The 7170 has a watchdog timer that will set all set a fault flag if host communication does not occur at a minimum rate. Default watchdog time is 50 mS which means if not accessed at a greater than 20 Hz rate, the watchdog will bite and disable the outputs.

When a fault flag is set, outputs can not longer be set and the host must first clear the fault before normal operation can continue. This is also the 7170s startup condition, meaning the host must first clear the fault before starting normal operation. This is normally handled by SSLBP.

STATUS LEDES

In addition to the per input indicator LEDs, three status LEDs are provided for power and field I/O operation monitoring. These LEDs are listed here:

LED	COLOR	LOCATION	FUNCTION
CR8	Yellow	Upper left	VIN power
CR35	Green	Middle left	Field I/O activity
CR36	Red	Middle left	Field I/O fault

In normal operation CR8 must always be on. At power-up, CR35 should be off and CR36 on. At power-up, the red LED CR36 indicates a watchdog fault, which is expected before host communications are established. Once running, CR35 should blink at about 1 Hz for a 1 KHz update rate, and CR33 should be off. In setup mode CR35 and CR36 are both illuminated.

OPERATION

PARAMETERS

The 7170 has several user settable parameters, but normally only a very few need be changed in normal operation.

PARAMETER	TYPE	FUNCTION
NVBAUDRATE	UINT	Sets operate mode baudrate
NVUNITNUMBER	ULONG	Non-volatile unit number
UNITNUMBER	ULONG	Working unit number
NVWATCHDOGTIME	UINT	Non-volatile watchdog time in mS
WATCHDOGTIME	UINT	Working watchdog time in ms
INPUT	UDOUBLE	48 bits of input data (right justified)
FAULT	UINT	7170 fault register
STATUS	UINT	7170 status register

NON-VOLATILE PARAMETERS

All non volatile parameters start with the letters NV. Non-volatile parameters are stored permanently in the processors EEPROM and are copied to the volatile working parameters at power-up. Because of this, non-volatile parameters only take affect after a 7170 power cycle.

OPERATION

NON-VOLATILE PARAMETERS

OPERATE MODE BAUD RATE

The operate mode baud rate default is 2.5 MBaud. This should not be changed unless needed for non-standard applications. Baud rates are selected by writing an index value to the NVBAUDRATE parameter. The index numbers for available baud rates are as follows:

INDEX	BAUD	INDEX	BAUD	INDEX	BAUD
0	9600B	1	19200B	2	38400B
3	57600B	4	115200B	5	230400B
6	460800B	7	921600B	8	1.25MB
9	2.5MB*	10	5MB	11	10MB

WATCHDOG TIMEOUT

The default watchdog period is 50 mS but can be set to different periods to suit the application. Watchdog timeout units are mS. A watchdog timeout value of 0 will disable the watchdog. The watch dog is a safety feature that warns that the 7I70 input data has not been read and should normally not be disabled nor set to long timeout periods. The non-volatile watchdog timeout is set via the NVWATCHDOGTIMEOUT parameter. The working watchdog timeout is set with the WATCHDOGTIME parameter.

OPERATION

RPD, WPD, AND UFLBP

The RPD, WPD, and UFLBP are command line utilities allow reading and writing volatile and non-volatile 7170 parameters, and updating the firmware on the 7170 To use these utilities on most operating systems, the 7170 must be in the setup mode or the operate mode baud rate must be 115200 KBaud or less

RPD, WPD, and UFLBP need environment variables preset before they will work. For Windows and 115200 baud, the following environment variables should be set:

```
SET BAUDRATE=115200
```

```
SET BAUDRATEMUL=1
```

```
SET PROTOCOL=LBP
```

```
SET INTERFACE=OSDEVICE
```

Example setting NVWATCHDOGTIMEOUT to 100 ms:

```
WPD NVWATCHDOGTIME 100
```

Note this is permanent change in the 7170s watchdog timeout and like all non-volatile parameters, will only be applied after the 7170 has been power cycled

Example reading 7170 faults in Hexadecimal:

```
RPD FAULT H
```

Example of reading the digital input bits in Hexadecimal

```
RPD INPUT H
```

Example of updating 7170 firmware with UFLBP

```
UFLBP 7170.BIN
```

Note the 7170 MUST be in setup mode for UFLBP to work properly.

OPERATION

HOST PC ADAPTER

In order to run any of the command line utilities a RS-422 adapter is needed. Mesa can provide a suitable adapter. Two such adapters are 3I21 or 3I22. These adapters connects the RJ-45 RS-422 interface on the 7I70 to a DB9 serial port (3I21) or USB port (3I22) and provide 5V link power.

MINIMAL HOST PC ADAPTER

A simple home made host adapter can be made by directly connecting RS-232 signals from a 9 pin PC serial port or USB RS-232 adapter to the 7I70s RS-422 signals via a one ended CAT5 cable. A single resistor between RS-232 TXD and RS-422 RXB is needed to prevent overloading the RS-232 TXD output

CAT5 PIN	DE-9F PIN	CAT5 SIGNAL	DE-9F SIGNAL	CAT5 COLOR
1	5	RXA	GND	ORANGE WHITE
2	3	RXB (1)	TXD (1)	ORANGE
3	XX	TXA	XX	GREEN WHITE
4	5	GND	GND	BLUE
5	5	GND	GND	BLUE WHITE
6	2	TXB	RXD	GREEN
7	XX	+5V (2)	XX	BROWN WHITE
8	XX	+5V (2)	XX	BROWN

Notes:

1. Connect via 470 Ohm 1/4 watt resistor. All other signals directly connected
2. +5V power must be supplied for the 7I70s serial link

OPERATION

SOFTWARE PROCESS DATA MODES

The 7170 has three software selectable process data modes. These different modes select different sets of 7170 data to be transferred between the host and the 7170 during real time process data exchanges. For high speed applications, choosing the correct mode can reduce the data transfer sizes, resulting in higher maximum update rates.

- MODE 0 Input mode (48 bits input data only)
- MODE 1 Input plus analog inputs (48 bits input data plus 6 channels of analog data)
- MODE 2 Input plus analog inputs plus field voltage

In modes 1 and 2, the analog voltages on input pins INPUT1..INPUT6 are read.

REFERENCE INFORMATION

Note that the following interface details presented here are not normally needed for users, as all register level interface details are handed by the driver code. This information is presented here for use by interface and driver developers.

SSLBP

GENERAL

SSLBP is a firmware option to HostMot2s SSERIAL serial interface that allows simple communication to LBP based peripherals like the 7170. SSERIAL is a part of the HostMot2 motion interface firmware for MESA's Anything-I/O FPGA cards.

REGISTER MAP

SSLBP has two global processor interface registers and four per channel remote device interface registers. For more details on mapping of these registers in HostMot2 memory space, see the REGMAP file that is included with the HostMot2 source distribution.

PROCESSOR INTERFACE REGISTERS

There are two processor interface registers, the COMMAND register and the DATA register. These registers allow low level communication to SSLBP's interface processor for issuing global commands, discovery, and debug operations.

REFERENCE INFORMATION

SSLBP

COMMAND REGISTER

The commands register is a 16 bit register (right justified in the 32 bit interface) with the following format:

15	14	13	12	11	10	9	8	7	6	5	4	3	2	1	0
W	M	R	D	S	T	T	T	N	N	N	N	N	N	N	N

W = BIT 15 Write bit, set high for control data write commands

M = BIT 14 ROM enable/ reset bit, set high to reset processor / download ROM

R = BIT 13 Request bit, set high for read or write command

D = BIT 12 Dolt bit, set high for Dolt commands

S = BIT 11 Start/Stop bit, actual operation depends on T:

ST = 1,0,0,0 Stop LBP interface = 0x08NN

ST = 1,0,0,1 Start LBP interface in normal mode = 0x09NN
 ST = 1,1,1,1 Start LBP interface in setup mode = 0x0FNN

N bits determine which channels start or do data transfer with remote device. A set bit indicates that the corresponding channel will start or do a data transfer.

A command is started when written to the command register. Command completion is signaled by the command register being cleared (to 0x0000) by the internal SSLBP firmware. If the command register is read before the command is complete, it will reflect the previously written command. *The command register should not be written when non-zero or unpredictable behavior may result.* There are two exceptions to this rule:

1. A STOP ALL command can always be written to reset the SSLBP interface.
2. Command writes with the ignore bit set can always be written (see below)

COMMAND REGISTER WRITE IGNORE

The command register has a feature that any command written with the MSB (bit 31) set will be ignored. This is for compatibility with DMA driven interfaces or any interfaces that use a fixed address list for low level hardware access so cannot skip writes.

REFERENCE INFORMATION

SSLBP

DATA REGISTER

SSLBP has a global 8 bit data register for debug and custom setup purposes. This register allows access to internal SSLBP parameters. The data register is right justified in the 32 bit Hostmot2 register.

LOCAL READ OPERATIONS

The sequence used for reading a local SSLBP variable is as follows:

1. The parameter address ORed with the Request bit (bit 13) is written to the command register.
2. The host polls the command register until it reads as zero.
3. The host reads the parameter byte from the data register

LOCAL WRITE OPERATIONS

The sequence used for writing a local SSLBP variable is as follows:

1. The host polls the command register until it reads as zero.
2. The host writes the data byte to the data register
3. The host writes the command register with the the parameter address Ored with both the Request bit (bit 13) and the Write bit (bit 15)

REFERENCE INFORMATION

SSLBP

LOCAL PARAMETERS

There are a number of local SSLBP read only parameters that are useful for interface software and drivers to access using the local read operations:

LOCAL PARAMETER	ADDRESS	DESCRIPTION
INTERFACE_TYPE	0x0000	0x12 for SSLBP
INTERFACE_WIDTH	0x0001	Data port width (8)
MAJORREV	0x0002	Major SSLBP firmware revision
MINORREV	0x0003	Minor SSLBP firmware revision
GP_INPUTS	0x0004	Number of GP input bits (0 for SSLBP)
GP_OUTPUTS	0x0005	Number of GP output bits (0 for SSLBP)
PROCESSOR_TYPE	0x0006	0xD8 for Dumb8
CHANNELS	0x0007	1 to 8 depending on configuration

REFERENCE INFORMATION

SSLBP

NORMAL START

When the FPGA is first configured or after a STOP command, all local communication, error and status parameters are initialized and all LBP communication channels are idle. A normal START command begins to establish communications with all remote LBP devices. A normal start command is issued by writing a Start bit with type bits of 0,0,1 with a bit mask of the desired channels to start in the low byte, This is 0x9NN hex where NN is the bitmask of channels to start. This command is written to the command register to start the selected channels.

Once a start command has been issued, all channels that are selected in the bit mask will be probed to determine if a LBP device exists. If a device exists on a channel, the SSLBP firmware will acquire the device name, and device unit number, and pointers to process data information from the remote device..

A normal start command also does a standard set of remote device setup operations when it detects a remote device. This setup includes clearing any faults, setting remote operational mode, and setting the outputs off. If no errors have occurred and all faults are clearable, the SSLBP firmware enters a "chatter" loop where it repeatedly sends output data of all 0's. This keeps the remote devices watchdog fed while waiting for the first DOIT command.

When the command completes (the command register is clear), the data register can be read to determine if all selected channels have started. A 1 bit in any position in the data register indicates that the corresponding channel has failed to start. If a channel has failed to start, more information about the failure can be determined by reading the CS register of the failed channel.

Once a DOIT command has been executed, the firmware no longer "chatters" and it becomes the responsibility of the host interface to continue sending DOIT commands at a rate sufficient to feed the remote devices watchdog (faster than 20 Hz with the default 50 mS watchdog timeout period). If this is not done, the remote device's watchdog will bite, disabling its outputs and setting the fault flag. This will require a channel stop followed by a channel start to resume normal operations.

REFERENCE INFORMATION

SSLBP

STOP ALL

A STOPALL command is issued to stop all channel communication. *STOPALL resets all channel variables and should always be issued by a driver when initializing the SSLBP interface.* A STOPALL followed by a START command can be used after a fault condition to re-establish communication with the remote LBP devices. Device discovery is only done once when START command is issued to a STOPed SSLBP. This means that if cabling, devices, or device hardware modes are are changed, a STOPALL command followed by a START command must be issued by the host to detect the changes. A STOPALL command is 0x0800.

STOP INDIVIDUAL CHANNELS

In addition to stopping all channels, a individual stop command can be issued. A individual stop command include a bitmask of the channels to stop in the least significant 8 bits of the command (the N bits), that is a stop channel 1 command would be 0x802. The intended use of individual stop is per channel error recovery. It should not be used for normal interface startup as it does not reset channel variables, that is a 0x8FF command (stop all individual channels) is not equivalent to a 0X800 (STOPALL) command.

DOIT

In normal operation SSLBP is designed to send host data from the interface registers to the remote device and request data from the remote device for presentation in the interface registers to the host. This SSLBP function is designed for high speed real time operation. Synchronization with the host is accomplished with the DOIT command.

When the host writes a DOIT command,, all outgoing process data from the host is sent to the remote devices and incoming process data is requested. Completion of the DOIT command is signaled by SSLBP clearing the COMMAND register. A DOIT command is completed when al requested channel transfers have completed or timed out. After the completion of a successful DOIT command, the incoming process data from the remote can be read.

A DOIT command contains the DOIT bit and an 8 bit mask in the 8 LSBs that selects the channels that will be requested to transfer data. *A DOIT should not be requested on an inactive channel, that is a channel that did not start.* After DOIT command completion the data register will contain a bit mask of channel status data. If any bit is set in the data register, it indicates a problem with the transfer (all zeros indicates no faults or errors).

The data register contents returned after a DOIT command can be used to minimize host access cycles by avoiding the need to read the per channel status registers. If detailed fault information is desired, the CS register can be read on any channel that shows a failed transfer.

REFERENCE INFORMATION

SSLBP

PER CHANNEL INTERFACE DATA REGISTERS

SSLBP supports three 32 bit interface data registers per channel. These are called interface register 0, interface register 1, and interface register 2. These are read/write registers with independent incoming and outgoing data. These registers are used for both setup/discovery data when starting a data link and process data once the link is running. When a start command is issued and has successfully completed, per channel setup data will be available in the interface registers.

PER CHANNEL CONTROL AND STATUS REGISTERS

SSLBP has a 32 bit control and status register for each channel. Like the interface data registers, these registers are used both for data link startup information and for status when the link is in operation.

REMOTE MODES

Some remote devices have software selectable modes that determine the specific data transferred for each DOIT command. These modes are selected by writing the mode number to the most significant byte of the remote channels CSR before a START or SETUP START command is issued. A default value of 0x00000000 should be written to all CSRs if MODE is not used.

REMOTE MODE IS WRITTEN TO CSR MS BYTE BEFORE START

CS REG	MODE	0	0	0.
--------	------	---	---	----

INTERFACE AND CS REGISTER DATA AT START

After a successful start command (either setup start or normal start), Interface register 0 reports the remote device's unit number. This is the number printed on the card label. Interface register 1 reports the remote device's 4 letter name (LSB first). Interface register 2 reports the remote devices global table of contents pointer (GTOCP) and process table of contents pointer (PTOCP) for the currently selected remote device mode. The GTOCP and PTOCP will be 0x0000 for devices that do not support process data discovery. *Note that the setup data will be overwritten with process data once the first DOIT command is issued.*

READ DATA FROM PER CHANNEL INTERFACE REGISTERS AFTER START

CS REG	X	COM_STATE	STATUS	LOCAL FLT.
INTERFACE 0	UNIT# BYTE 3	UNIT# BYTE 2	UNIT# BYTE 1	UNIT# BYTE 0
INTERFACE 1	NAME BYTE 3	NAME BYTE 2	NAME BYTE 1	NAME BYTE 0
INTERFACE 2	GTOCP BYTE1	GTOCP BYTE 0	PTOCP BYTE1	PTOCP BYTE 0

REFERENCE INFORMATION

SSLBP

CS REGISTER AFTER START

The CS register is used for local SSLBP, and remote LBP device status and control information. Read access returns status information in both normal and setup mode. In normal mode, writes to the CS register are not used. After a normal start or setup start the CS register has the following format:

Byte3 = X undefined for for SSLBP versions < 29, remote fault for versions >28 (See CS REGISTER AFTER DOIT section)

Byte2 = COM_STATE Communication state code (debug only)

Byte1 = Communication status code (0x00 for OK)

Bit 7 = CommunicationNotReady

Bit 6 = NoRemotelD

Bit 5 = CommunicationError

Bit 0 = RemoteFault

Byte0 = Local Communication faults (0x00 for OK, sticky, cleared only by STOP)

Bit 7 = TooManyerrors

Bit 6 = RemoteFault

Bit 5 = SerialBreakError

Bit 4 = ExtraCharacterError

Bit 3 = TimeoutError

Bit 2 = OverrunError

Bit 1 = InvalidCookieError

Bit 0 = CRCError

REFERENCE INFORMATION

SSLBP

CS REGISTER AFTER DOIT OR FAILED START

After a successful DOIT command, or normal start with SSLBP versions >28 bytes 0 through 2 of CS register are the same as after a start command but in addition, the previously invalid byte 3 of the CS register contains remote fault information:

Byte3 = REMOTE_FAULTS

Bit 7 = LBPCOMFault

Bit 6 = IllegalMode Fault

Bit 5 = LowVoltageFault

Bit 4 = HighVoltageFault

Bit 3 = OverCurrentFault

Bit 2 = OverTempFault

Bit 1 = NoEnableFault

Bit 0 = WatchdogFault

REFERENCE INFORMATION

SSLBP

PROCESS DATA DISCOVERY

The SSLBP interface provides information to allow the host to determine the name, number, units, sizes, types, directions, and scaling of process data elements. This information is read from the remote device via a setup mode start followed by a series of remote read operations.

Note to the bewildered: process data discovery and its complications are not needed to access the 7170 via SSLBP. In fact the 7170's data can be accessed via SSLBP with no more than a few register reads and writes. The sole purpose of process data discovery is to allow the driver to present nicely named and formatted data to the host without the driver having any built in knowledge of the remote device.

PROCESS TABLE OF CONTENTS

After a normal start or setup start command, the PTOCP word in the low word of interface register 2 is a pointer to the current process table of contents (PTOC) in the remote device.

If remote devices that do not support process device discovery are present, their PTOCP will be 0, and process data organization must be inferred from the remote device name.

Remote reads from this location will return the first entry in the PTOC. All PTOC entries are pointers with a size of 2 bytes. The end of the PTOC is marked with a 0 sentinel. Each PTOC entry points to a process data descriptor. Here is an example of a 5 entry PTOC (PDD is Process Data Descriptor)

ENTRY	ADDRESS	CONTENTS
0	PTOCP	POINTER TO PDD 0
1	PTOCP+2	POINTER TO PDD 1
2	PTOCP+4	POINTER TO PDD 2
3	PTOCP+6	POINTER TO PDD 3
4	PTOCP+8	POINTER TO PDD 4
5	PTOCP+10	0x0000 (END OF TABLE)

REFERENCE INFORMATION

SSLBP

PROCESS DATA DESCRIPTOR

Each PTOC entry points to a process data descriptor or a mode descriptor. Each process data descriptor is a record with fields for data size, data type, data direction, minimum and maximum values, the address of the process data and the unit name and process data name. Each process data element has a corresponding process data descriptor record. In addition there are mode descriptor records that indicate the current hardware and software modes of the remote device. The process data descriptor record structure is as follows:

FIELD NAME	FIELD LENGTH	DESCRIPTION
RECORD_TYPE	8 BITS	RECORD TYPE = 0xA0
DATA_SIZE	8 BITS	DATA SIZE IN BITS
DATA_TYPE	8 BITS	DATA ELEMENT TYPE
DATA_DIRECTION	8 BITS	DATA DIRECTION
PARAM_MIN	32 BITS	IEEE-754 FP PARM MIN
PARAM_MAX	32 BITS	IEEE-754 FP PARM MAX
PARAM_ADD	16 BITS	ADDRESS OF PARM
UNIT_STRING	VARIABLE	NULL TERM. STRING
NAME_STRING	VARIABLE	NULL TERM. STRING

PROCESS DATA DESCRIPTOR FIELDS

RECORD_TYPE

The RECORD_TYPE field is a single byte at the beginning of the process data descriptor for record typing and sanity checking. It is 0xA0 for process data records.

DATA_LENGTH

The DATA_LENGTH field is a single byte field that specifies the length of the process data element in bits. Minimum is 1 bit, maximum is 255 bits, however current SSLBP implementations are limited by the number of interface registers to a maximum of 96 bits.

REFERENCE INFORMATION

SSLBP

DATA_TYPE

The DATA_TYPE field is a single byte field that specifies the data type of the process data element. Data types are as follows:

NUMBER	DATA_TYPE	NOTE
0x00	PAD	To pad for byte alignment
0x01	BITS	Packed bits, LSB is BIT 0
0x02	UNSIGNED	Numeric unsigned
0x03	SIGNED	Numeric twos complement LSB first
0x04	NONVOL_UNSIGNED	Numeric unsigned
0x05	NONVOL_SIGNED	Numeric twos complement LSB first
0x06	STREAM	Continuous data stream
0x07	BOOLEAN	Any length non-zero = true

DATA_DIRECTION

The DATA_DIRECTION field is a single byte field that specifies the data direction. Valid Data direction bytes are as follows:

0x00	INPUT	(Read from remote)
0x40	BI_DIRECTIONAL	(Read from and written to remote)
0x80	OUTPUT	(Written to remote)

PARAMETER_MIN

The PARAMETER_MIN field is a 32 bit IEEE-754 floating point number that specifies the minimum value of the process data element. This is to allow the driver to present data in engineering units. Not valid for non-numeric data types

PARAMETER_MAX

The PARAMETER_MAX field is a 32 bit IEEE-754 floating point number that specifies the maximum value of the process data element. This is to allow the driver to present data in engineering units. Not valid for non-numeric data types.

REFERENCE INFORMATION

SSLBP

UNIT_STRING

The UNIT_STRING is a variable length null terminated string that specifies the units of the process data element

NAME_STRING

The NAME_STRING is a variable length null terminated string that begins immediately after the UNIT_STRING. It specifies the name of the process data element.

NUMERIC PROCESS DATA SCALING

Currently all numeric process data is simple unsigned or signed (twos complement) binary data. The process data element PARAM_MIN and PARAM_MAX values in conjunction with the DATA_SIZE can be used to scale this numeric data.

For unsigned data, PARAM_MIN corresponds to a value of 0 and PARAM_MAX corresponds to a value of $(2^{DATA_SIZE}) - 1$. Meaning scaled unsigned data is $RAW_DATA * (PARAM_MAX - PARAM_MIN) / ((2^{DATA_SIZE}) - 1) + PARAM_MIN$.

For signed data. PARAM_MIN corresponds the value $-(2^{DATA_SIZE-1}) - 1$ and PARAM_MAX corresponds the value $(2^{DATA_SIZE-1}) - 1$, meaning scaled signed data is $RAW_DATA * (PARAM_MAX - PARAM_MIN) / ((2^{DATA_SIZE-1}) - 1) + PARAM_MIN$.

MODE DESCRIPTOR

In addition to the process data descriptors, the PTOC will have pointers to two mode descriptors. These are the currently selected hardware and software modes of the remote device.

FIELD NAME	FIELD LENGTH	DESCRIPTION
RECORD_TYPE	8 BITS	RECORD TYPE = 0xB0
MODE INDEX	8 BITS	WHICH MODE
MODE TYPE	8 BITS	MODE TYPE
UNUSED	8 BITS	UNUSED
MODE_NAME_STRING	VARIABLE	NULL TERM. STRING

MODE TYPES

Currently there are only two mode types, HWMODE = 0x00 and SWMODE = 0x01 these correspond to hardware (EEPROM or Jumper setting)and software (dynamically changeable operational modes)

REFERENCE INFORMATION

SSLBP

PROCESS DATA ELEMENT PACKING AND UNPACKING

Ultimately all process data is transferred to and from the host via the interface 0,1,2 registers.

The packing of outgoing process data elements into these interface registers and unpacking of incoming process data elements from these interface registers is done in the order of process data descriptors listed in the PTOC. Process data elements in PTOC order and process descriptor DATA_SIZE are packed into or unpacked from the interface registers from LSB to MSB and from interface register 0 through interface register 2.

Read data and bidirectional data is unpacked from the interface registers read by the host. Write data and bidirectional data is packed into the interface registers written by the host.

Before a DOIT command is written to start a data transfer cycle with the remote device, the host must write its packed outgoing process data (OPD in table below) to the interface registers. (The CS register not currently used for outgoing data/control so is not written)

HOST WRITES OUTGOING INTERFACE REGISTERS BEFORE DOIT

CS REG	MODE	X	X	X
INTERFACE 0	OPD BYTE 3	OPD BYTE 2	OPD BYTE 1	OPD BYTE 0
INTERFACE 1	OPD BYTE 7	OPD BYTE 6	OPD BYTE 5	OPD BYTE 4
INTERFACE 2	OPD BYTE 11	OPD BYTE 10	OPD BYTE 9	OPD BYTE 8

REFERENCE INFORMATION

SSLBP

PROCESS DATA ELEMENT PACKING AND UNPACKING

After the DOIT command has completed, the incoming process data (IPD in table below) can be read along with the local and remote faults.

HOST READS INCOMING INTERFACE REGISTERS AFTER DOIT

CS REG	REMOTE. FLT	COM_STATE	STATUS	LOCAL FLT.
INTERFACE 0	IPD BYTE 3	IPD BYTE 2	IPD BYTE 1	IPD BYTE 0
INTERFACE 1	IPD BYTE 7	IPD BYTE 6	IPD BYTE 5	IPD BYTE 4
INTERFACE 2	IPD BYTE 11	IPD BYTE 10	IPD BYTE 9	IPD BYTE 8

7170 SPECIFIC PROCESS DATA EXAMPLE

Process data is remote device dependent and also dependent on remote device mode. The 7170 supports 3 software modes.

The software modes determine whether the 7170 card monitors digital inputs only, digital inputs and 6 analog inputs or digital inputs and field voltage, In the default digital input only mode the 7170 process data consists of 48 input bits. In input and analog mode, process data consists of 48 input bits and 6 bytes of analog data in the input and field voltage mode, process data consists of 48 input bits and 16 bit field analog voltage.

REFERENCE INFORMATION

SSLBP

7170 SPECIFIC PROCESS DATA EXAMPLE

In the default input only mode the process data appears in the interface registers in the order shown:

7170 INCOMING PROCESS DATA FOR DEFAULT INPUT ONLY MODE

CS REG	REMOTE. FLT	COM_STATE	STATUS	LOCAL FLT.
INTERFACE 0	TB2 BITS 31..24	TB3 BITS 23..16	TB3 BITS 15..8	TB3 BITS 7..0
INTERFACE 1	FIELD V 8..15	FIELD V 0..7	TB2 BITS 47..40	TB2 BITS 39..32
INTERFACE 2	X	X	X	X

Note that this information is just for user convenience as the process data organization in the interface registers can be determined by process data discovery.

REFERENCE INFORMATION

SSLBP

NORMAL MODE OPERATION

In normal mode the sequence of operations for a cyclic access with write before read is as follows:

Note steps 1 through 5 are setup operations and are only done once per session

1. Issue STOP ALL command (0x800), wait for COMMAND register clear to verify stop command completion.
2. Issue normal START command (0x9NN) with bitmask (NN) of channels to start.
3. Wait for COMMAND register clear to verify start command completion. (may be many mS)
4. Read data register to verify that all selected channels started (a 1 in any channel position bit means a fault in the channel that the bit represents)
5. Read device unit number (This can only be read before DOIT has been asserted)
6. Check command register, if not clear, cycle time is too short.

(Note the command register should never be written to when not clear except to issue a stop command or when written with the command ignore bit set)
7. Check data register, any 1 bits indicate previous DOIT command failed for in the corresponding channels
8. Read per channel Interface register 0 and interface register 1 for input process data
9. Write per channel output process data (for 7I70) to interface 0 register and interface 1 register
10. Write DOIT command = 0x10NN where NN is the bit mask of channels to initiate transfers.
11. Wait for next cycle, at next cycle time, loop back to state 6

This sequence can be modified if a read-modify-write sequence is required, this requires polling the command register for send/receive completion. This will take a maximum of 100 uSec from the DOIT command to command register clear and valid input data.

REFERENCE INFORMATION

SETUP START

When the FPGA is first configured or after a stop all command, all LBP communication channels are idle. A SETUP START command first initializes and all local communication, error and status parameters and begins to establish communications with all remote LBP devices. Unlike the NORMAL START command, SETUP START does no device specific setup but instead creates a pass-through access mode that allows the host to read or write any remote LBP device parameter. This allows simple utilities to setup 7170 volatile and non-volatile parameters, and allows the host to do process data discovery to determine the input and output process data information from the remote device.

SETUP MODE OPERATION

In setup mode the SSLBP interface is used as a passthrough device to allow reading and writing parameters to the remote LBP device.

REMOTE READ EXAMPLE:

For a remote word read, the sequence of operations is as follows:

1. Issue a STOPALL command (0x800), wait for COMMAND register clear to verify stop command completion.
2. Issue a setup START command (0xFNN) with bitmask (NN) of channels to start
3. Wait for COMMAND register clear to verify start command completion. (may be many mS)
4. Read data register to verify that all selected channels started (a 1 bit means a fault in the channel that the bit represents)
5. Write LBP word read command (0x45) in the MSByte ORed with the parameter address to the selected channels CS register. (0x4500PPPP)
6. Issue a DOIT Command
7. Wait for the command register to be clear
8. Check that the data register is clear, any set bits indicate an error
9. Read the returned data in the LS word of the selected channels Interface0 register
10. Repeat from step 5 for any additional remote data reads

Remote read byte, word, long and double are basically equivalent, the only difference being the LBP command (0x44,0x45,0x46,0x47 respectively) and the size of the data read from the interface register(s)

REFERENCE INFORMATION

SSLBP

REMOTE WRITE EXAMPLE:

For a remote word write, the sequence of operations is as follows:

1. Issue a STOPALL (0x800) command, wait for COMMAND register clear to verify stop command completion.
 2. Issue a setup START command (0xFNN) with bitmask (NN) of channels to start
 3. Wait for COMMAND register clear to verify start command completion. (may be many mS)
 4. Read data register to verify that all selected channels started (a 1 bit means a fault in the channel that the bit represents)
 5. Write the new parameter data to the selected channels Interface0 register (right justified)
 6. Write LBP word write command (0x65) in the MSByte ORed with the parameter address to the selected channels CS register. (0x6500PPPP)
 7. Issue a DOIT Command
 8. Wait for the command register to be clear
 9. Check that the data register is clear, any set bits indicate an error
- . Repeat from step 5 for any additional remote parameter writes

Remote write byte, word, long and double are basically equivalent, the only difference being the LBP command (0x64,0x65,0x66,0x67 respectively) and the size of the data written to the interface register(s)

REFERENCE INFORMATION

SSLBP

DISCOVERY SEQUENCE:

for process data discovery (of one channel) the sequence of operations is as follows:

Note that the first section acquires the PTOC and the second section reads the records pointed to by the PTOC. For brevity, the remote read sequence (steps 5 through 9 of the remote read procedure) will be listed here as "remote read"

FIRST PART, ACQUIRE PTOC:

1. Issue a STOPALL (0x800) command, wait for COMMAND register clear to verify stop command completion.
2. Issue a setup START command (0xFNN) with bitmask (NN) of channels to start
3. Wait for COMMAND register clear to verify start command completion. (may be many mS)
4. Read data register to verify that the selected channels started (a 1 bit means a fault in the channel that the bit represents)
5. Read PTOCP from interface register 2, of selected channel, if zero, remote device does not support discovery
6. Remote read word at PTOCP
7. If word data is 0, PTOC collection is complete goto step 11
8. Save value in local PTOC table, and increment local PTOC table index
9. Increment PTOCP value by 2 (as it is a word pointer)
10. Repeat from step 6

REFERENCE INFORMATION

SSLBP

DISCOVERY SEQUENCE

SECOND PART, READ PROCESS DESCRIPTOR AND MODE DESCRIPTOR RECORDS:

11. For each PTOC entry acquired in the previous step:
12. Remote read byte at PTOC+0
12. If byte is 0xA0, proceed to step 16, reading process data descriptor
14. If byte is 0xB0, proceed to step 25 reading mode descriptor
15. If byte is neither, there is a error
16. Remote read byte at PTOC+1 This is DATA_SIZE
17. Remote read byte at PTOC+2 This is DATA_TYPE
18. Remote read byte at PTOC+3 This is DATA_DIRECTION
19. Remote read long at PTOC+4 This is PARAM_MIN.
20. Remote read long at PTOC+8 This is PARAM_MAX
21. Remote read word at PTOC+10 This is PARAM_ADD (not used normally)
22. Read UNIT_STRING starting at PTOC+12
 - Initialize CharPointer to PTOC+12
 - repeat (remote read byte at CharPointer, increment CharPointer, if byte is 0: done)
23. Read NAME_STRING starting at CharPointer
 - repeat (remote read byte at CharPointer, increment CharPointer, if byte is 0: done)
24. Repeat with next PTOC = step 11

REFERENCE INFORMATION

SSLBP

DISCOVERY SEQUENCE

SECOND PART, READ PROCESS DESCRIPTOR AND MODE DESCRIPTOR RECORDS:

25. Remote read byte at PTOC+1 This is MODE_INDEX

26. Remote read byte at PTOC+2 This is MODE TYPE

27. Read MODE_NAME_STRING starting at PTOC+4

 Initialize CharPointer to PTOC+4

 repeat (remote read byte at CharPointer, increment CharPointer, if byte is 0: done)

28. Repeat with next PTOC = step 1

29. Select next channel # and repeat from step 5

REFERENCE INFORMATION

LBP

LBP is a simple binary master slave protocol where the host sends read, write, or RPC commands to the 7170, and the 7170 responds. All controller communication to the 7170 is done via LBP. LBP commands always start with a command header byte. This header specifies whether the command is a read or write or RPC, the number of address bytes(0, or 2), and the number of data bytes(1 through 8).The 0 address size option indicates that the current address pointer should be used. This address pointer will be post incremented by the data size if the auto increment bit is set. RPC commands allow any of up to 64 stored commands to be executed in response to the single byte command.

Note that the low level serial interface details presented here are not normally needed for 7170 card access, as all the low level details are handed by the SSLBP code in the SSerial interface built into the FPGA, but is presented here for completeness.

LBP DATA READ/WRITE COMMAND

0	1	WR	RID	AI	AS	DS1	DS0
---	---	----	-----	----	----	-----	-----

- Bit 7.. 6 **CommandType:** Must be 01b to specify data read/write command
- Bit 5 **Write:** 1 to specify write, 0 to specify read
- Bit 4 **RPCIncludesData:** 0 specifies that data is from stream, 1, that data is from RPC (RPC only, ignored for non RPC commands)
- Bit 3 **AutoInc:** 0 leaves address unchanged, 1 specifies that address is post incremented by data size in bytes.
- BIT 2 **AddressSize:** 0 to specify current address, 1 to specify 2 byte address.
- Bit 1..0 **DataSize:** Specifies data size, 00b = 1 bytes, 01b = 2 bytes, 10 b= 4 bytes, 011b = 8 bytes.

When multiple bytes are specified in a read or write command, the bytes are always written to or read from successive addresses. That is, a 4 byte read at location 0x21 will read locations 0x21, 0x22, 0x23, 0x24. The address pointer is not modified after the command unless the AutoInc bit is set.

REFERENCE INFORMATION

LBP

EXAMPLE LBP COMMANDS

Write 4 bytes (0xAA, 0xBB,0xCC,0xDD) to addresses 0x010,0x011,0x012,0x013 with AutoInc so that the address pointer will be left at 0x014 when the command is completed:

COMMAND BITS	CT1	CT0	WR	RID	AI	AS	DS1	DS0
LBPWrite: 2 add 4 data	0	1	1	0	1	1	1	0
Write Address LSB	0	0	0	1	0	0	0	0
Write Address MSB	0	0	0	0	0	0	0	0
Write data 0	1	0	1	0	1	0	1	0
Write Data 1	1	0	1	1	1	0	1	1
Write Data 2	1	1	0	0	1	1	0	0
Write Data 3	1	1	0	1	1	1	0	1

Write 2 more bytes (0xEE,0xFF) at 0x014 and 0x015:

COMMAND BITS	CT1	CT0	WR	RID	AI	AS	DS1	DS0
LBPWrite: 0 add 2 data	0	1	1	0	0	0	0	1
Write data 0	1	1	1	0	1	1	1	0
Write data 1	1	1	1	1	1	1	1	1

Read 8 bytes at 0x010,0x011,0x012,0x013,0x014,0x015,0x016,0x017:

COMMAND BITS	CT1	CT0	WR	RID	AI	AS	DS1	DS0
LBPRead: 2 add 8 data	0	1	0	0	0	1	1	1
Read Address LSB	0	0	0	1	0	0	0	0
Read Address MSB	0	0	0	0	0	0	0	0

REFERENCE INFORMATION

LBP

LOCAL LBP COMMANDS

In addition to the basic data access commands, there are a set of commands that access LBP status and control the operation of LBP itself. These are organized as READ and WRITE commands

LOCAL LBP READ COMMANDS

(HEX), all of these commands return a single byte of data.

0xC0 Get unit address

0xC1 Get LBP status

LBP Status bit definitions:

BIT 7 Reserved

BIT 6 Command Timeout Error

BIT 5 Invalid write Error (attempted write to protected area)

BIT 4 Buffer overflow error

BIT 3 Watchdog timeout error

BIT 2 Reserved

BIT 1 Reserved

BIT 0 CRC error

0xC2 Get CRC enable status (note CRCs are always enabled on the 7170)

0xC3 Get CRC error count

0xC4 .. 0xC9 Reserved

0xCA Get Enable_RPCMEM access flag

0xCB Get Command timeout (character times/10 for serial)

0xCC .. 0xCF Reserved

0xD0 .. 0xD3 4 character card name

REFERENCE INFORMATION

LBP

LOCAL LBP READ COMMANDS

0xD5 .. 0xD7 4 character configuration name (only on some configurations)

0xD8 Get low address

0xD9 Get high address

0xDA Get LBP version

0xDB Get LBP Unit ID (Serial only, not used with USB)

0xDC Get RPC Pitch

0xDD Get RPC SizeL (Low byte of RPCSize)

0xDE Get RPC SizeH (High byte of RPCSize)

0xDF Get LBP cookie (returns 0x5A)

REFERENCE INFORMATION

LBP

LOCAL LBP WRITE COMMANDS

(HEX), all of these commands except 0xFF expect a single byte of data.

0xE0 Reserved

0xE1 Set LBP status (0 to clear errors)

0xE2 Set CRC check enable (Flag non-zero to enable CRC checking)

0xE3 Set CRC error count

0xE4 .. 0xE9 Reserved

0xEA Set Enable_RPCMEM access flag (non zero to enable access to RPC memory)

0xEB Set Command timeout (in mS for USB and character times for serial)

0xEC .. 0xEF Reserved

0xF0 .. 0xF6 Reserved

0xF7 Write LEDs

0xF8 Set low address

0xF9 Set high address

0xFA Add byte to current address

0xFB .. 0xFC Reserved

0xFD Set unit ID (serial only)

0xFE Reset LBP processor if followed by 0x5A

0xFF Reset LBP parser (no data follows this command)

REFERENCE INFORMATION

LBP

RPC COMMANDS

RPC commands allow previously stored sequences of read/write commands to be executed with a single byte command. Up to 64 RPC's may be stored. RPC write commands may include data if desired, or the data may come from the serial data stream. RPCs allow significant command compression which improves communication bandwidth. When used with SSLBP, the 7170s process data transfer uses an RPC for efficiency

LBP RPC COMMAND

1	0	RPC5	RPC4	RPC3	RPC2	RPC1	RPC0
---	---	------	------	------	------	------	------

Bit 7..6 **CommandType:** must be 10b to specify RPC

Bit 5..0 **RPCNumber:** Specifies RPC 0 through 63

In the 7170 LBP implementation, RPCPitch is 0x8 bytes so each RPC command has native size of 0x08 bytes and start 0x8 byte boundaries in the RPC table area. RPCs can cross RPCPitch boundaries if larger than RPCPitch RPCs are needed. The stored RPC commands consist of LBP headers and addresses, and possibly data if the command header has the RID bit set. RPC command lists are terminated by a 0 byte.

The RPC table is accessed at addresses 0 through RPCSize-1 This means with a RPCPitch of 0x8 bytes, RPC0 starts at 0x0000, RPC1 starts at 0x008, RPC2 starts at 0x0010 and so on.

Before RPC commands can be written to the RPC table, the RPCMEM access flag must be set. The RPCMEM access flag must be clear for normal operation.

REFERENCE INFORMATION

LBP

EXAMPLE RPC COMMAND LIST

This is an example stored RPC command list. Note RPC command lists must start at a RPCPitch boundary in the RPC table but an individual RPC list can extend until the end of the table. This particular RPC example contains 2 LBP commands and uses 7 bytes starting at 0x0028 (RPC5 for 0x08 pitch RPC table)

Command1. Writes two data bytes to address 0x10, 0x11 with 2 data bytes supplied by host

Command2. Reads two data bytes from address 0x12,0x13

COMMAND BITS	CT1	CT0	WR	RID	I	AS	DS1	DS0
LBPWrite: 2 add 2 data	0	1	1	0	0	1	0	1
Write Address LSB	0	0	0	1	0	0	0	0
Write Address MSB	0	0	0	0	0	0	0	0
LBPRead: 2 add 2 data	0	1	0	0	0	1	0	1
Read Address LSB	0	0	0	1	0	0	1	0
Read Address MSB	0	0	0	0	0	0	0	0
Terminator	0	0	0	0	0	0	0	0

The data stream for this RPC would consist of these 3 bytes:

COMMAND BITS	CT1	CT0	R5	R4	R3	R2	R1	R0
RPC 5	1	0	0	0	0	1	0	1
Data 0 for Command 1	0	1	0	1	0	1	0	1
Data 1 for Command 1	1	1	0	0	1	1	0	0

REFERENCE INFORMATION

CRC

LBP on the 7170 uses CRC checking of all commands and data to insure validity. The CRC used is a 8 bit CRC using the same polynomial as the Dallas/Maxim one wire devices ($X^8+X^5+X^4+X^0$). The CRC must be appended to all LBP commands and all returned data will have a CRC byte appended. Commands with no returned data (writes or RPCs with no reads) will still cause a CRC byte to be returned, this CRC byte will always be 00H.

FRAMING

Since LBP is a binary protocol with no special sync characters, the packet framing must be determined by other methods.

Framing is done by a combination of timing and pre-parsing the serial data. Timing based framing is used to reset the parser at gaps in the serial data stream. This provides fast resynchronization to allow robust operation in noisy environments. The actual timeout used needs to be optimized for the operating mode. In setup mode where a non real-time OS may be communicating with the remote device, the frame timing is set to its maximum value (25.5 character times). This is equivalent to 2.1 mS at 115200 baud. This means that host communications cannot have more than 2.1 mS delays between characters in a command sequence when in setup mode.

In operate mode, command timeout is set by SSLBP to be 4 character times (16 uSec at 2.5M baud). The SSLBP firmware always sends commands in bursts without inter-character gaps so will always meet this timing. The timing is set short so that the parser on the remote device will always be reset and ready for the next command at the highest repetition rates even if data has been corrupted by noise so that incomplete commands have been received.

REFERENCE INFORMATION

SSERIAL REMOTE RPCS

SSerial remote devices must implement three special RPCs to be compatible with the hosts FPGA SSLBP firmware. These RPCs may be normal in-memory RPCs or special hardwired RPCs for speed. Normal programmable RPCs are not required for compatibility with SSLBP so need not be implemented.

UNIT NUMBER RPC

The unit number RPC returns the 4 byte remote unit number. Like all LBP data this is sent LSB first. This RPC is 0xBC hex.

DISCOVERY RPC

The discovery RPC returns the total sizes of the receive and transmit process data in bytes and returns 16 bit pointers to the PTOC and GTOC (which are in turn tables of pointers to process data records and mode records). The discovery RPC is 0xBB hex.

Return data bytes are in the following order: RXSize, TXSize, PTOCLSB, PTOCMSB, GTOCLSB, GTOCMSB.

RXSize is host relative so this is the size of data that the remote transmits. Likewise TXSize is host relative so this is the size of process data the remote receives. Note that the remote should check its remote SW mode and remote HW mode flags and return size data and pointers appropriate for the currently selected mode. Note that the remote always sends remote fault data as the first byte of the process data sent to the host. This extra byte of data must be reflected in the RXSize byte.

PROCESS DATA RPC

The Process data RPC is used to transfer process data to and from the host. The process data RPC should always receive and send the amount of RX and TX data that the Discovery RPC indicates. As mentioned above, the first byte of data sent from the remote to the host is always remote fault information as listed in CS REGISTER AFTER DOIT section of the manual. The process data RPC is 0xBD hex.

REFERENCE INFORMATION

SPECIFICATIONS

	MIN	MAX	NOTES
LOGIC SUPPLY VOLTAGE 5V	3.9VDC	6VDC	From serial
5V CURRENT	----	30 mA	.
VIN (LOGIC POWER)	8VDC	32 VDC	
VIN POWER CONSUMPTION	----	1 W	Typ. 600 mW
FIELD POWER	5VDC	32 VDC	
INPUT VOLTAGE RANGE	0V	36.3V	
TRANSIENT INPUT VOLTAGE	----	75V	1 second max
INPUT RESISTANCE	10,5K	11.5K	
TEMPERATURE -C VERSION	0°C	70°C	
TEMPERATURE -I VERSION	-40°C	85°C	

DRAWINGS

